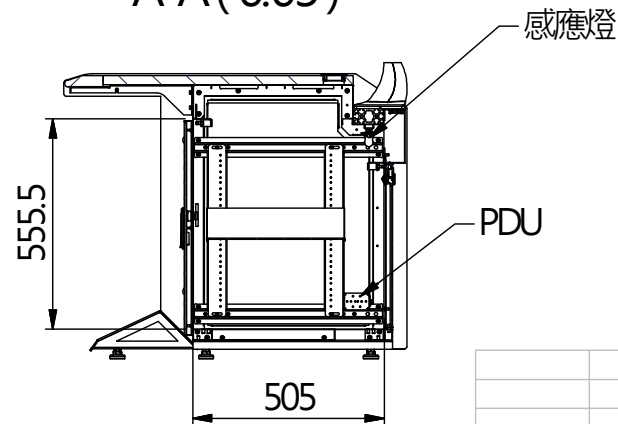


A-A (0.05)



PROPRIETARY AND CONFIDENTIAL  
 THE INFORMATION CONTAINED IN THIS  
 DRAWING IS THE SOLE PROPERTY OF  
 ISTARUSA GROUP. ANY  
 REPRODUCTION IN PART OR AS A WHOLE  
 WITHOUT THE WRITTEN PERMISSION OF  
 ISTARUSA GROUP IS  
 PROHIBITED.

		DIMENSIONS ARE IN MM TOLERANCES: FRACTIONAL ± ANGULAR: MACH ± BEND ± TWO PLACE DECIMAL ± THREE PLACE DECIMAL ±		NAME	DATE
NEXT ASSY	USED ON	MATERIAL			
		FINISH			
BY	EA				



W-CT Series Console Table

SIZE	DWG. NO.	REV.
A3		0
SCALE: 0.05 WEIGHT:		SHEET : 1 / 1