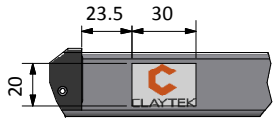
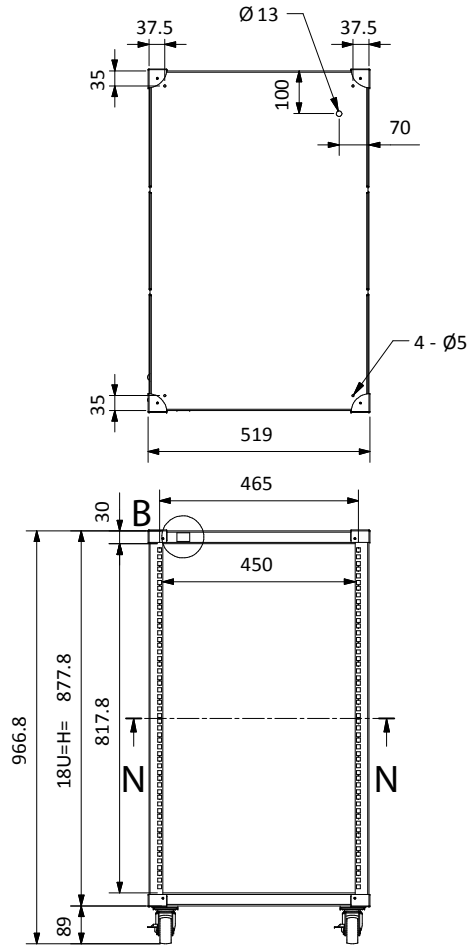
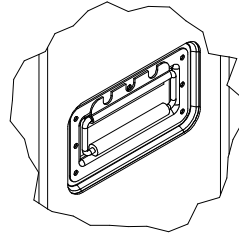


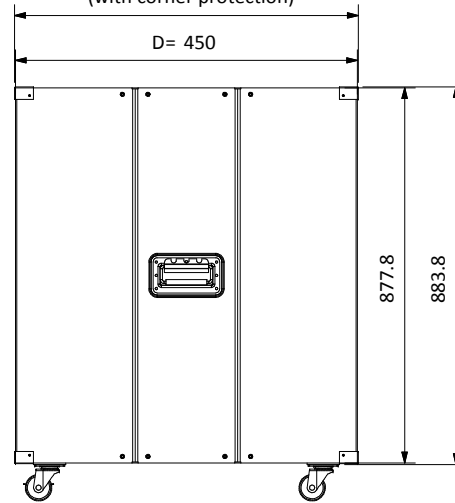
B (0.4)



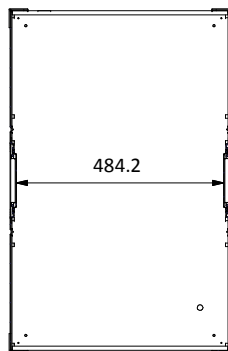
A (1:5)



454
(with corner protection)

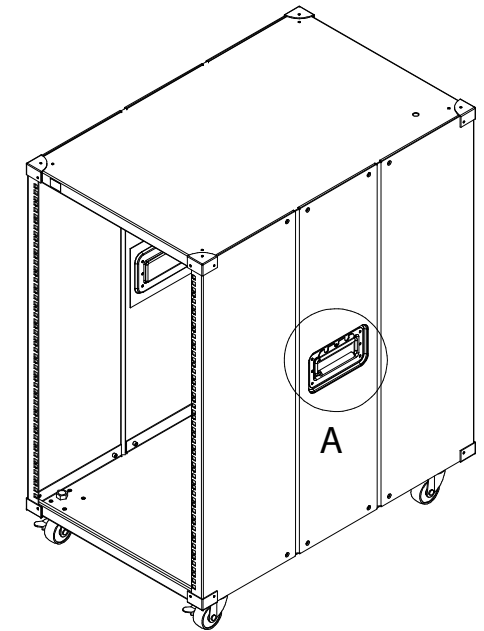


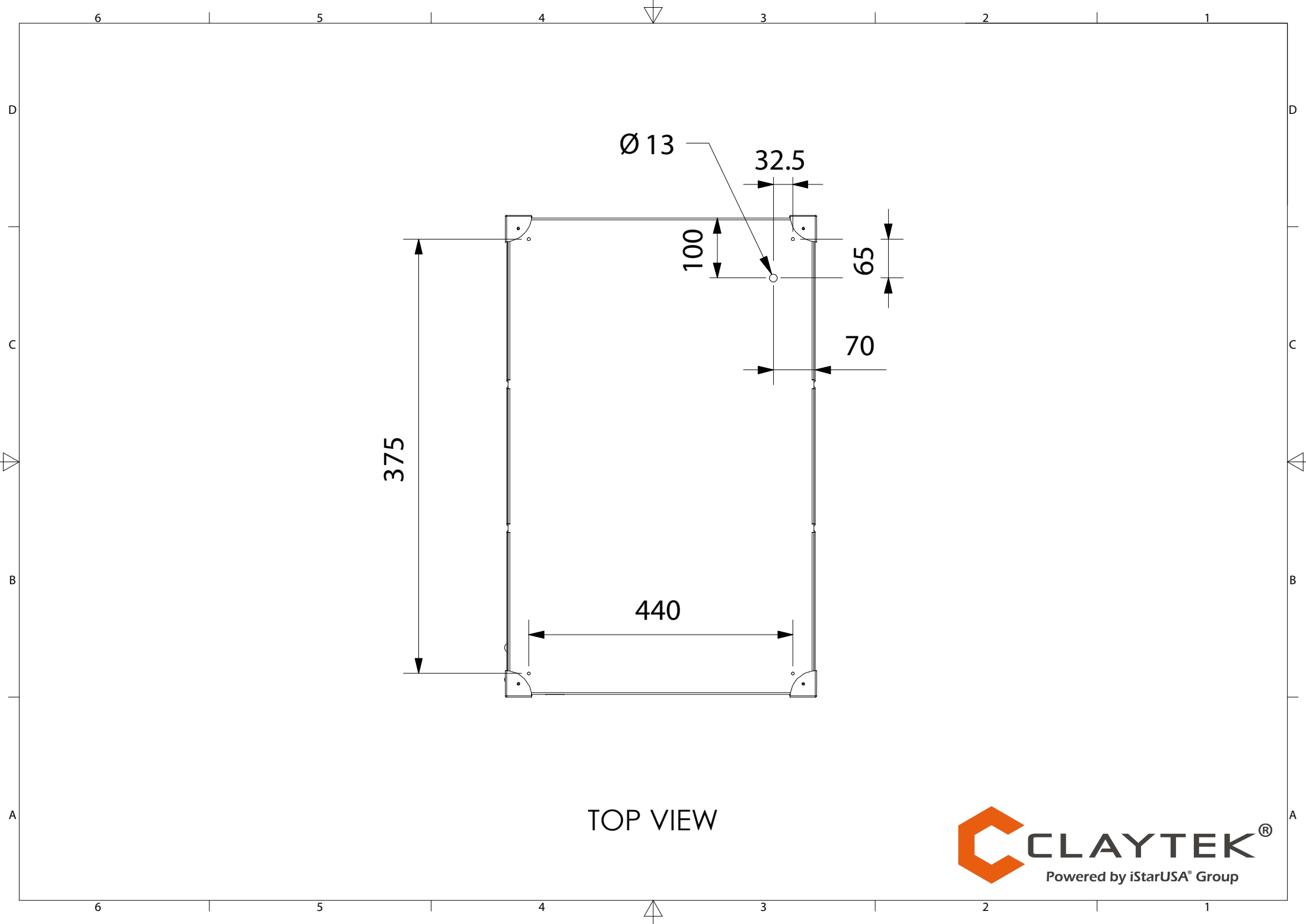
N-N (0.08)



	H(mm)	D(mm)	U UNIT
WD-0460	254.8	600	4U
WD-0960	477.3	600	9U
WD-1045	521.8	450	10U
WD-1245	610.8	450	12U
WD-1560	744.3	600	15U
WD-1880	877.8	800	18U
*WD-0980	877.8	800	9U

*buid to order





TOP VIEW