

WD Series

Simple Server Rack with Wood Top



Features

- Compatible with Most of Rackmount Chassis and Equipment
- Lightweight and Easy to Transport with Caster
- Included a Heatproof, Moisture proof, and Anticorrosive Wood Top
- Compatible with HP/Dell/ IBM servers equipped with sliding rails
- Comes with M5 Mounting Screws and Cage Nuts
- Fully Customizable Ready to be OEM/ODM

Specifications

RoHS Compliance	Color
Yes	Black (Special Color on Request)
Material	Loading Capacity
Steel SPCC 2.0mm	220 lbs

Optional Accessories

Model Number	Description
WA-PD010	10 Outlet Overload Circuit Breaker Protection Power Distribution Unit
WA-SFH40B	2U Supporting Tray
WA-WJW600	Wood Top for WD Series 600mm
WA-LCDARM	LCD Monitor Arm

Front View



Inside View

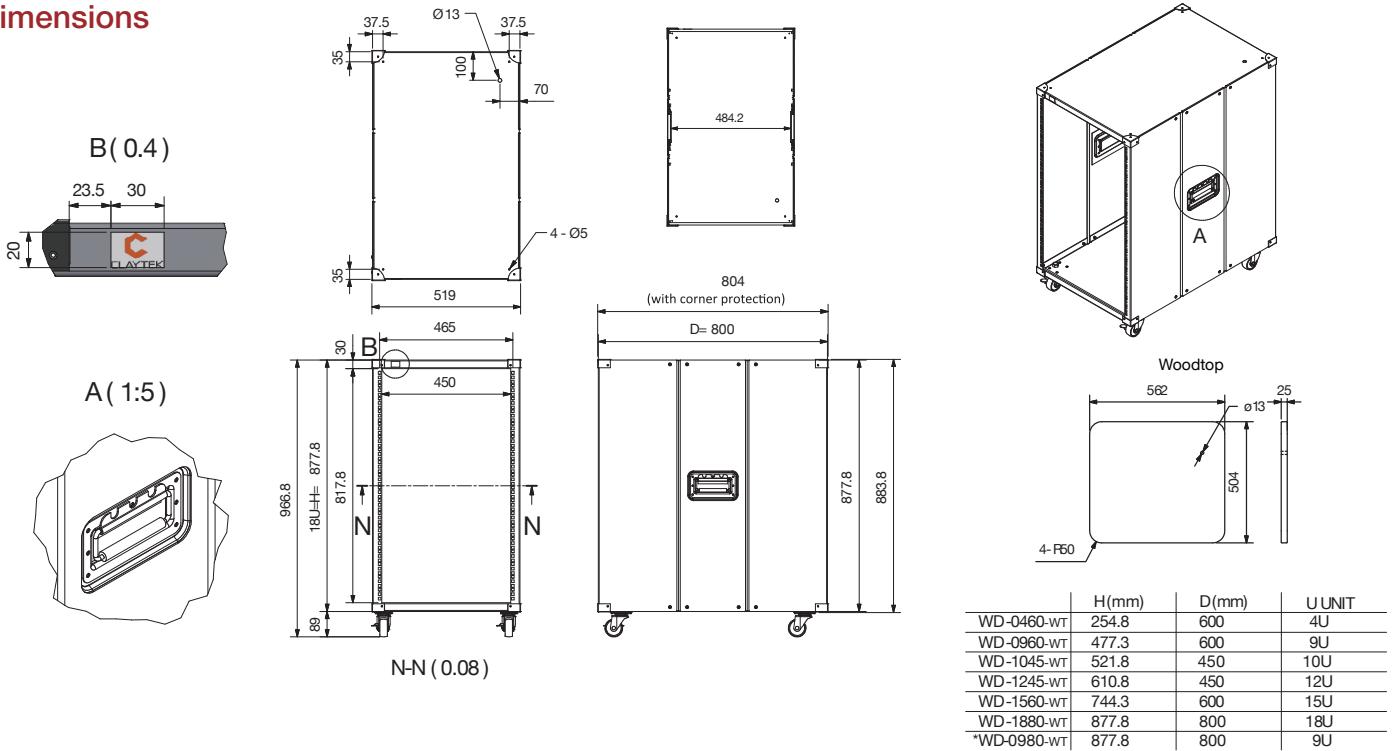


Rear View



We at iStarUSA Group offer OEM/ODM services for Industrial Power, Custom Power, Chassis, Cabinets, and Data Storage. Through our skilled metal bending, milling, and silk screening we can provide you with unique customizations that will make your product stand out from the rest. With iStarUSA Group's OEM/ODM Solutions you can be sure to receive one-of-a-kind products for your one-of-a-kind business.

Dimensions



Ordering Information

Picture	Model Number	Form Factor	Supported Depth	Dimensions (WxHxD)
	WD-460-WT	4U	23" and under	Width 20.28" (515.1 mm) Height 13.50" (342.9 mm) Depth 23.60" (599.4 mm)
	WD-960-WT	9U	23" and under	Width 20.28" (515.1 mm) Height 22.30" (566.4 mm) Depth 23.60" (599.4 mm)
	WD-1045-WT	10U	17" and under	Width 20.28" (515.1 mm) Height 24.00" (609.6 mm) Depth 17.70" (449.6 mm)
	WD-1245-WT	12U	17" and under	Width 20.28" (515.1 mm) Height 27.50" (698.5 mm) Depth 17.70" (449.6 mm)
	WD-1560-WT	15U	23" and under	Width 20.28" (515.1 mm) Height 32.70" (830.6 mm) Depth 23.60" (599.4 mm)
	WD-1880-WT	18U	31" and under	Width 20.28" (515.1 mm) Height 38.00" (965.2 mm) Depth 31.50" (800.1 mm)