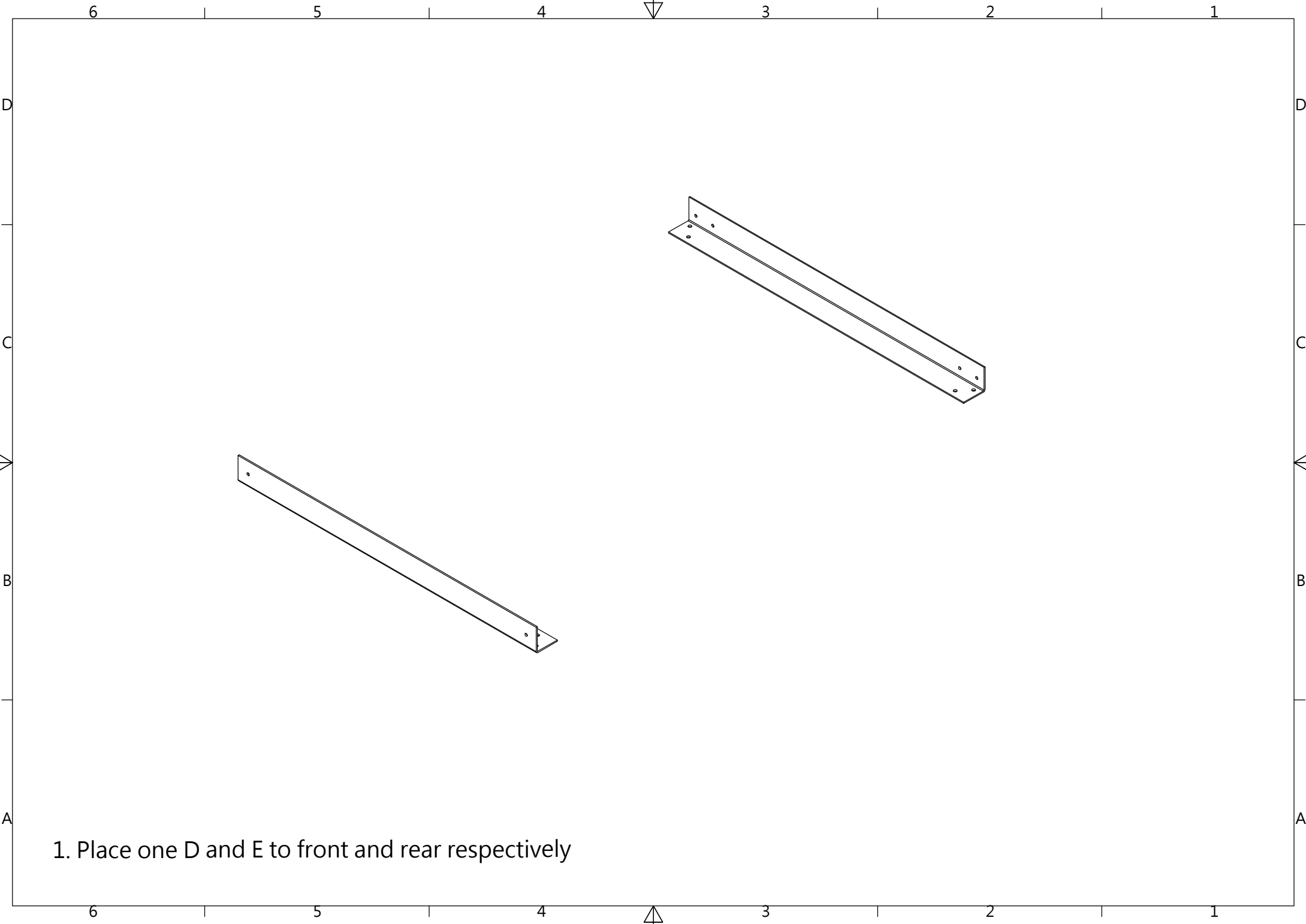
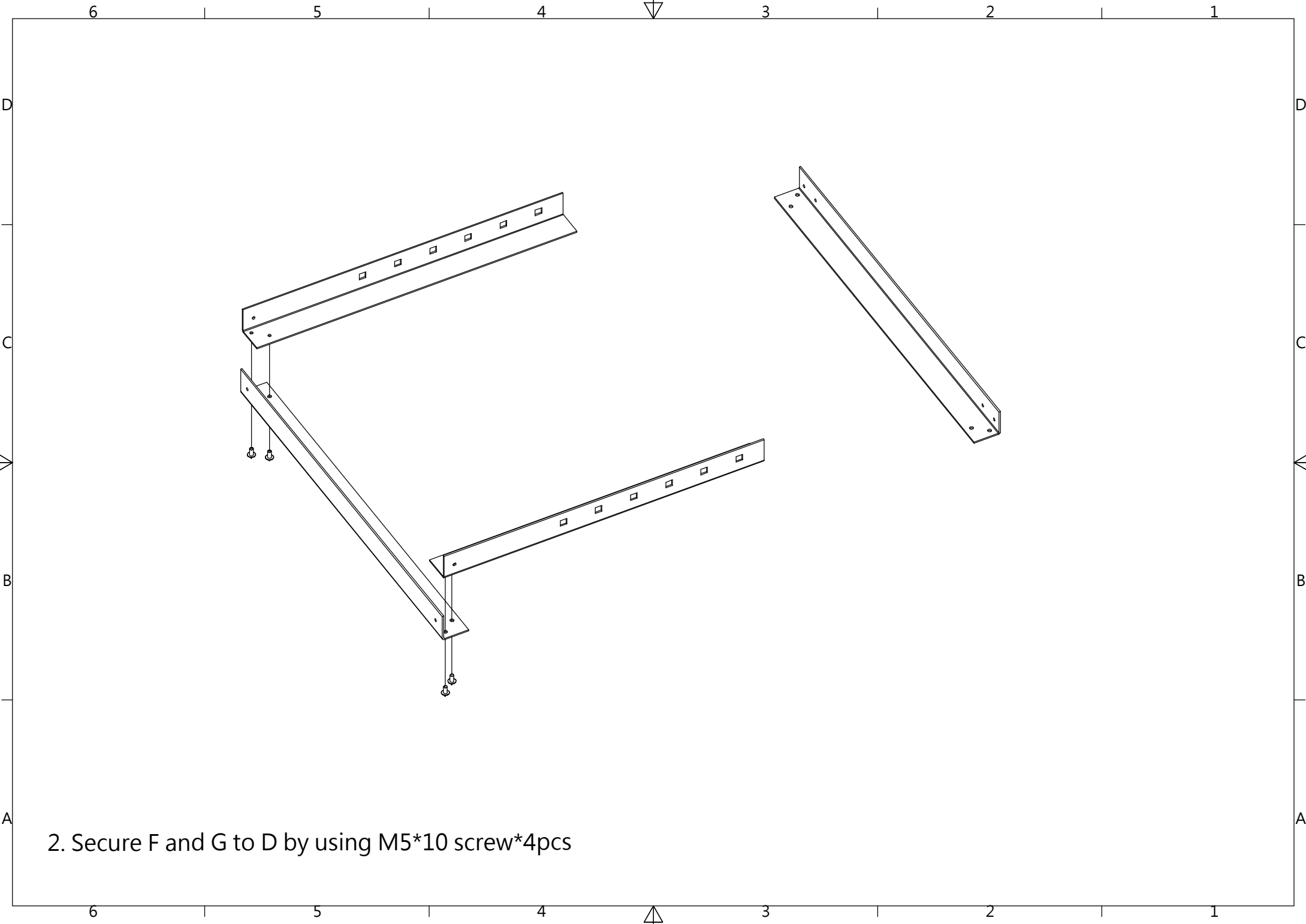


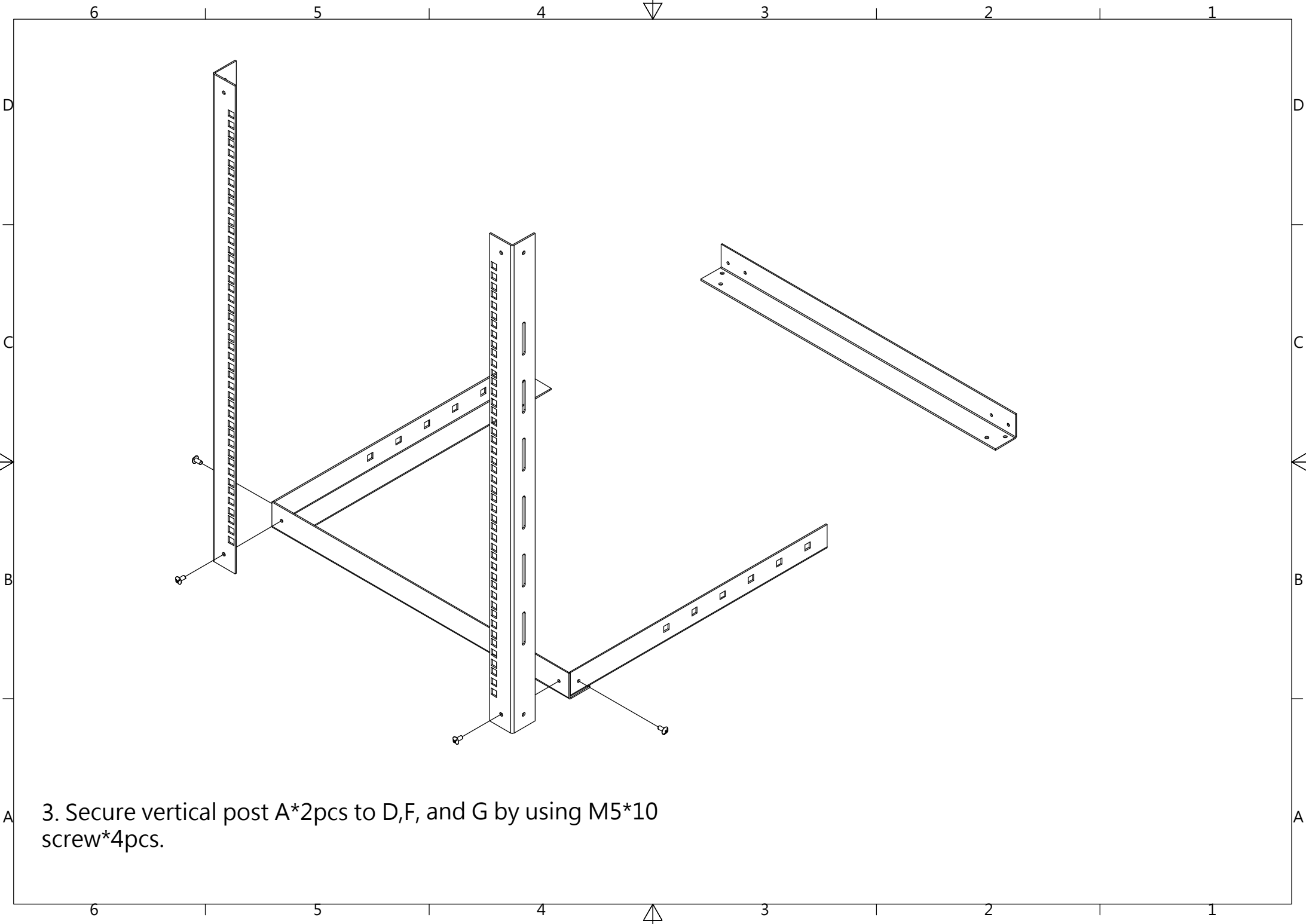
BOM					
Item	Name	Spec.	Material	T	Q'ty.
A	15U Vertical Post(Front)		SPCC	20	2
B	15U Vertical Post(Rear)		SPCC	20	2
C	15U Mounting Post		SPCC	20	2
D	Width Post(Front)		SPCC	20	2
E	Width Post(Rear)		SPCC	20	2
F	Depth Post(Front 1)		SPCC	20	2
G	Depth Post(Front 2)		SPCC	20	2
H	Depth Post(Rear 1)		SPCC	20	2
I	Depth Post(Rear 2)		SPCC	20	2
J	Carriage Bolt	5/16"*5/8"			12
K	Truss Head Phillip Screw	M5*10			36

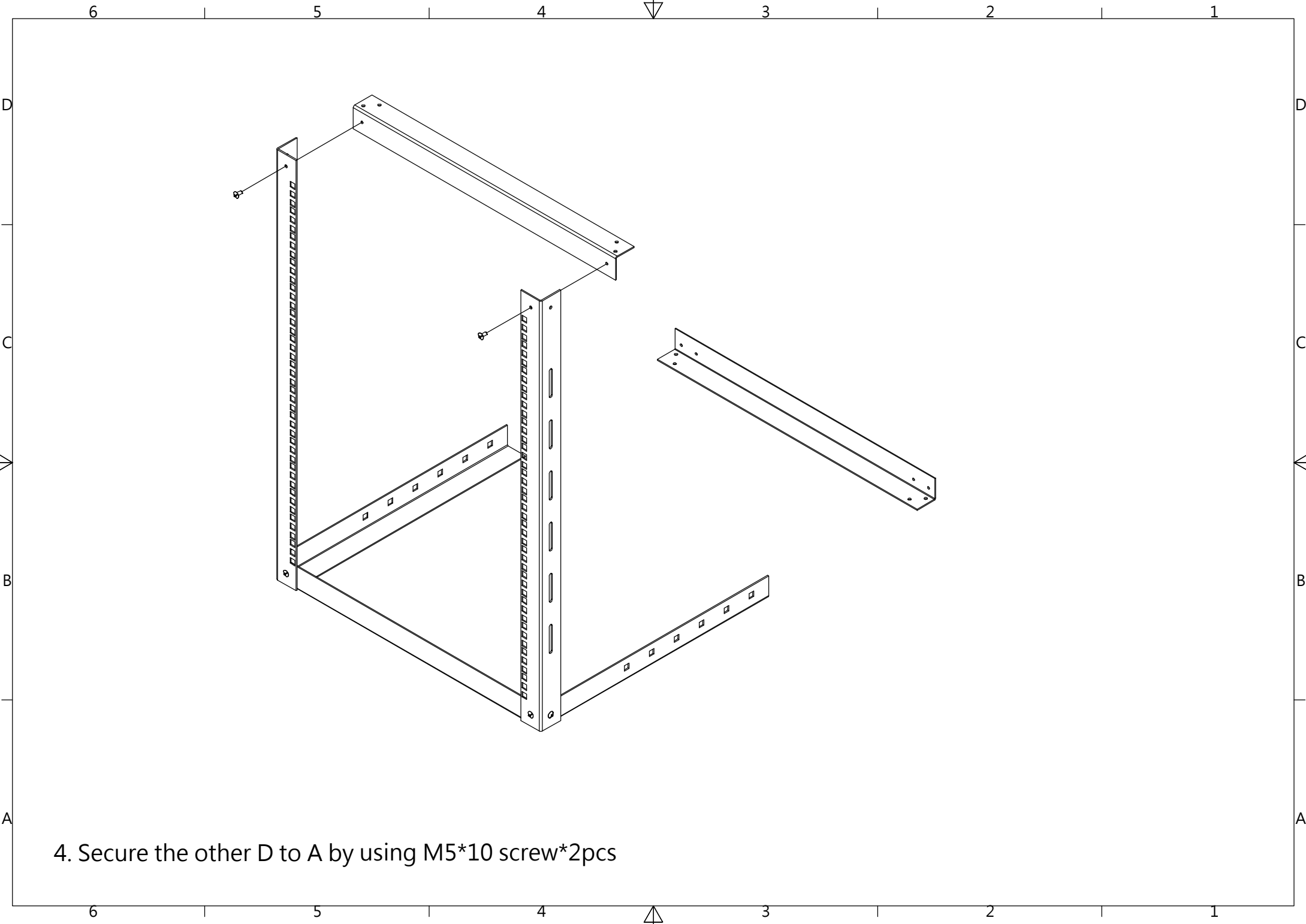


1. Place one D and E to front and rear respectively

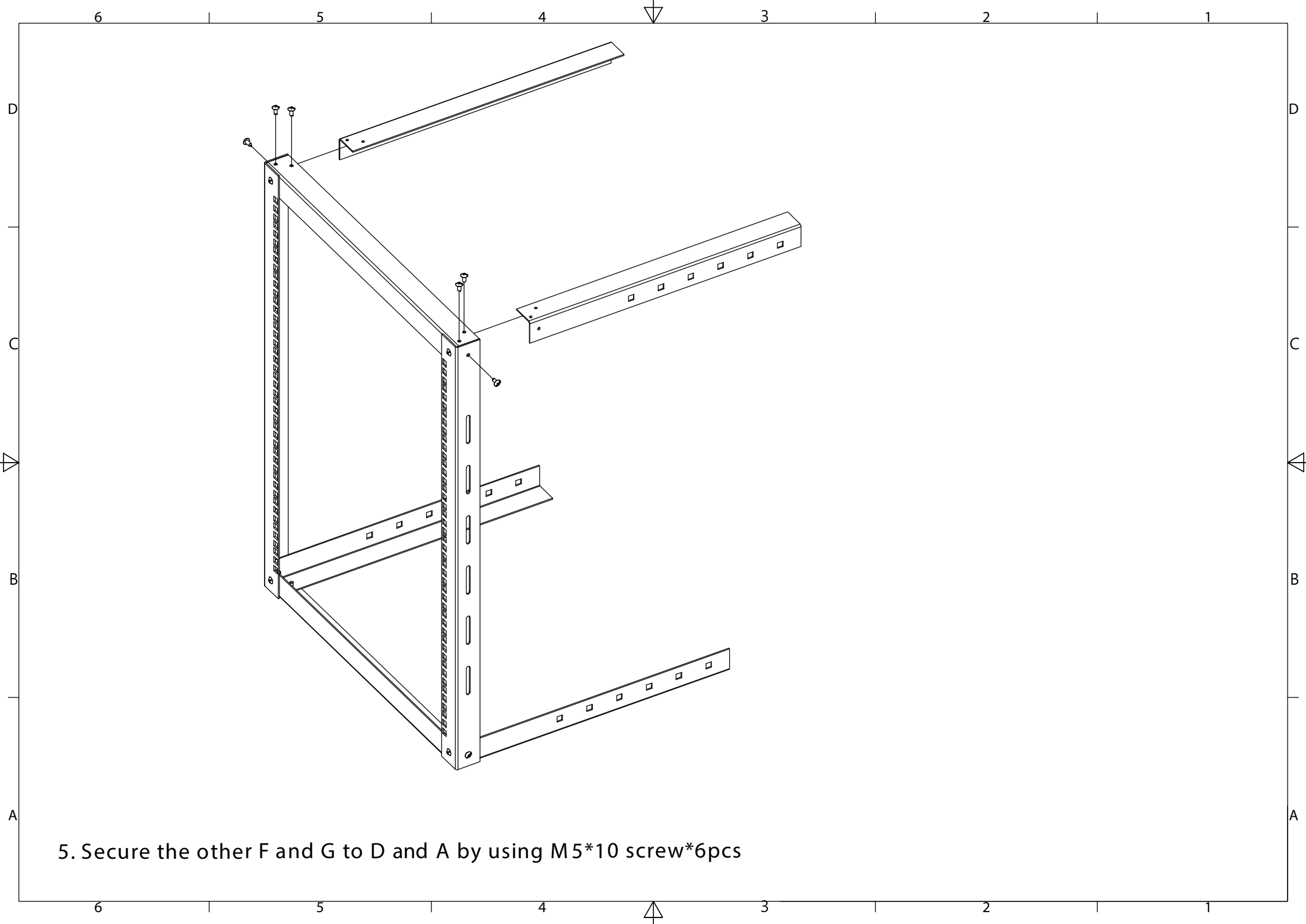


2. Secure F and G to D by using M5\*10 screw\*4pcs

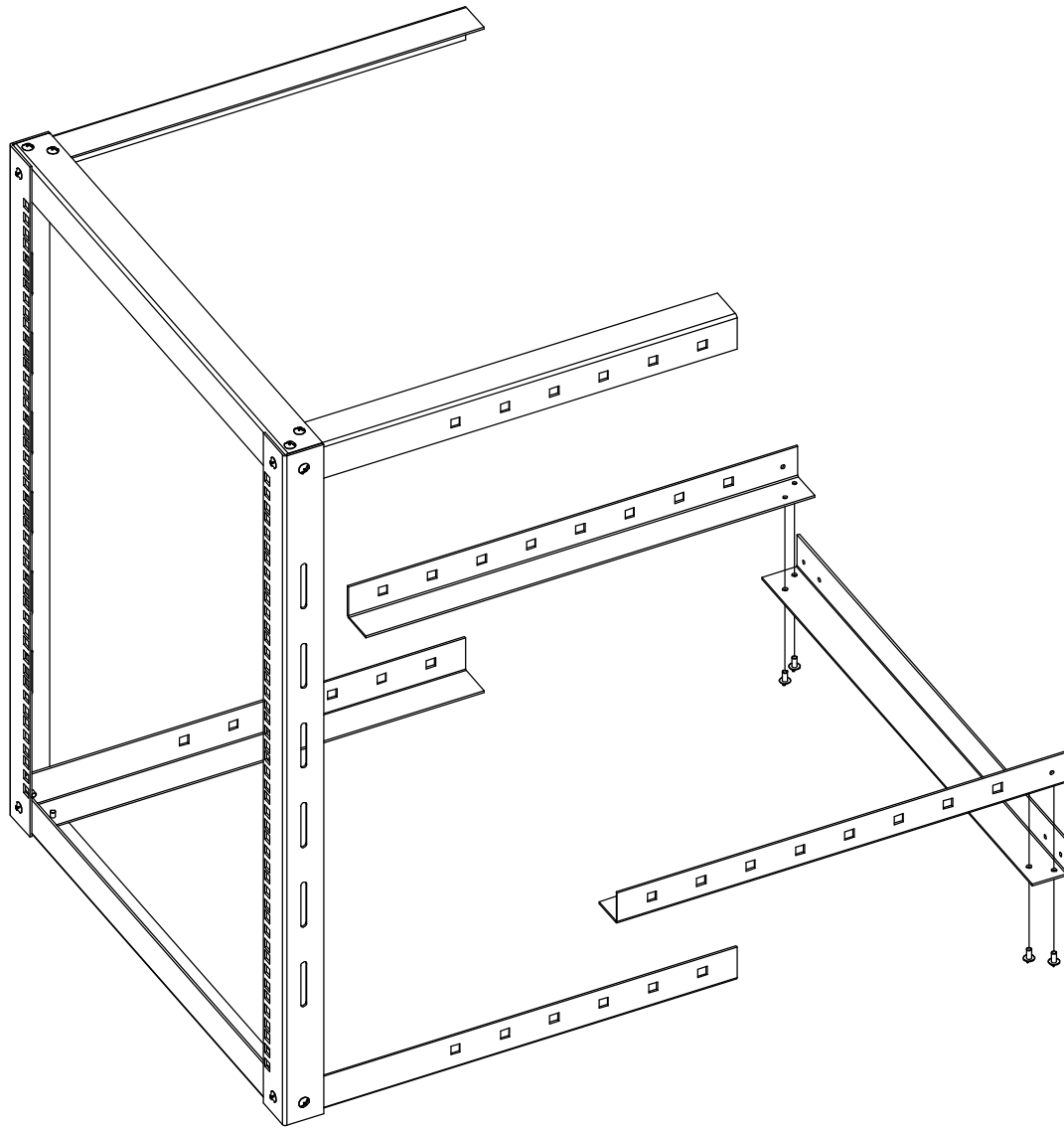




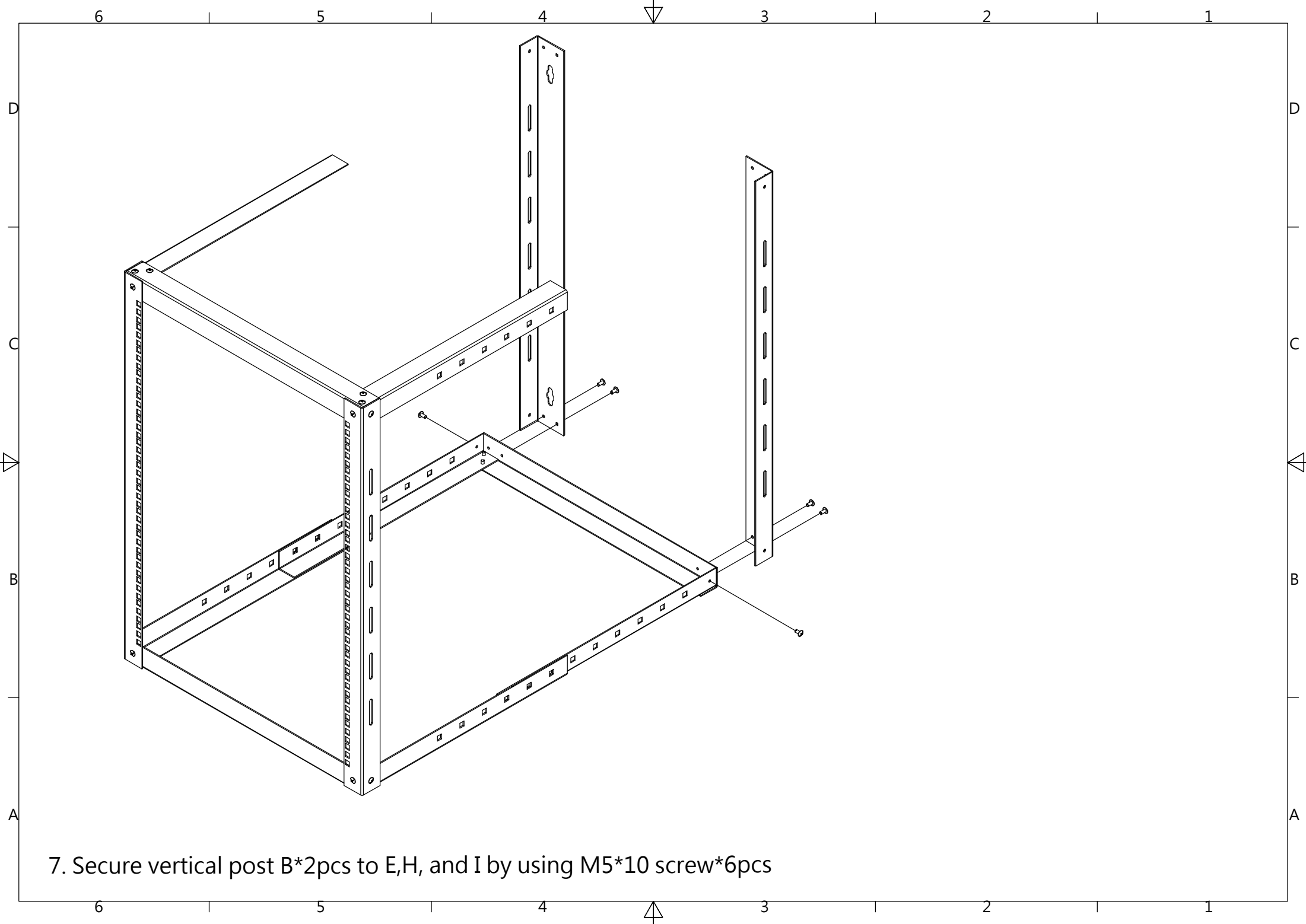
4. Secure the other D to A by using M5\*10 screw\*2pcs



5. Secure the other F and G to D and A by using M5\*10 screw\*6pcs

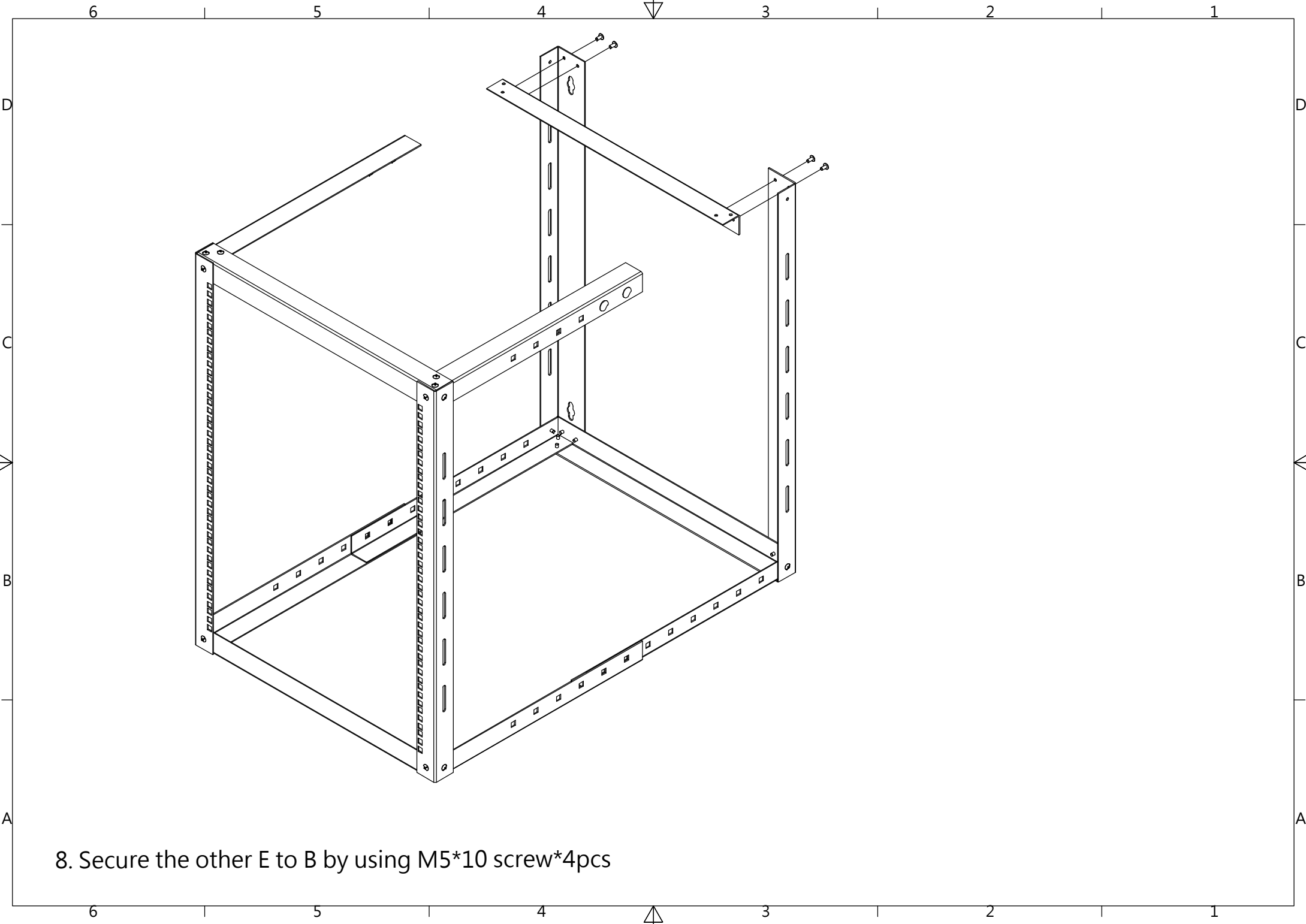


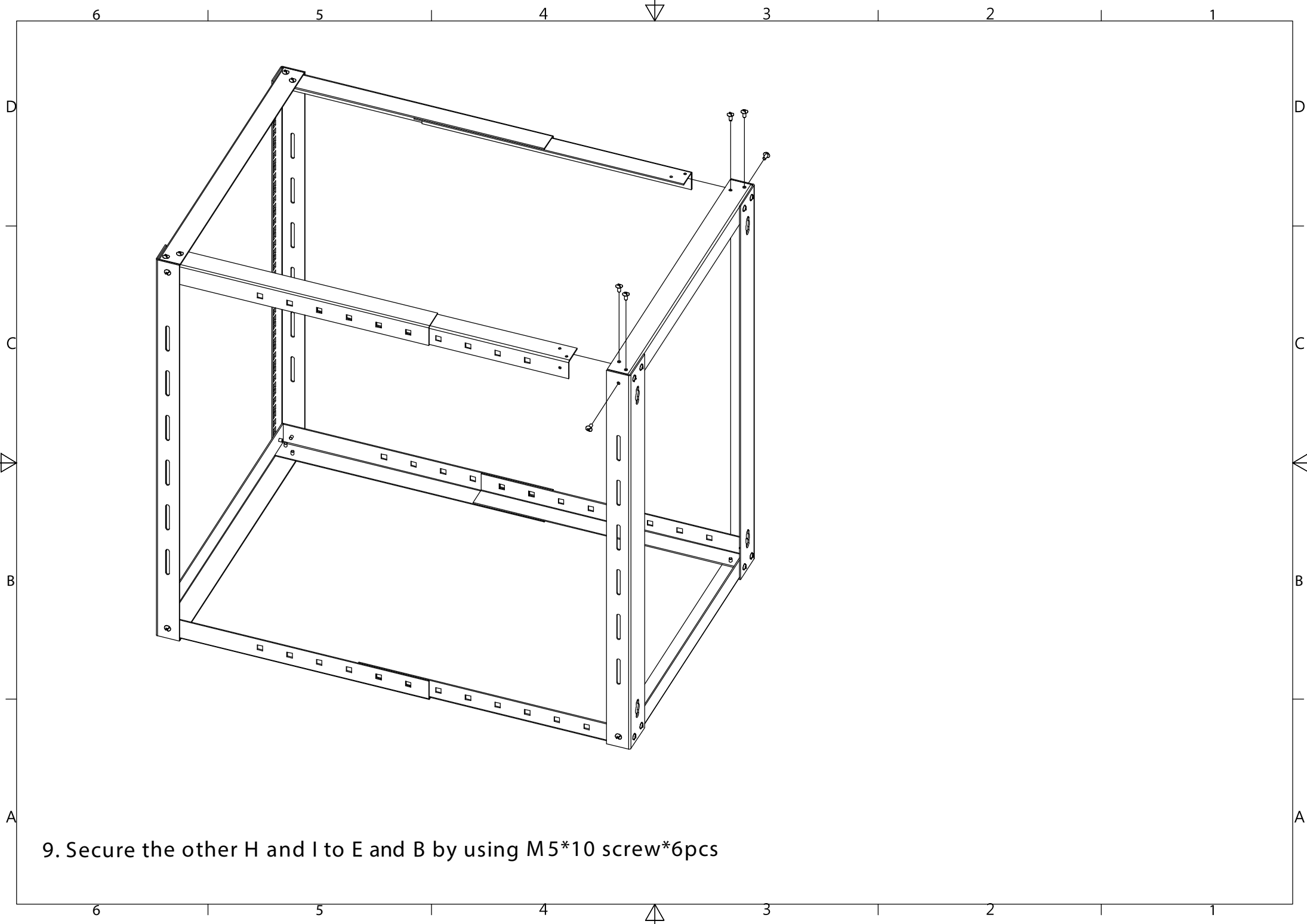
6. Secure H and I to E by using M5\*10 screw\*4pcs

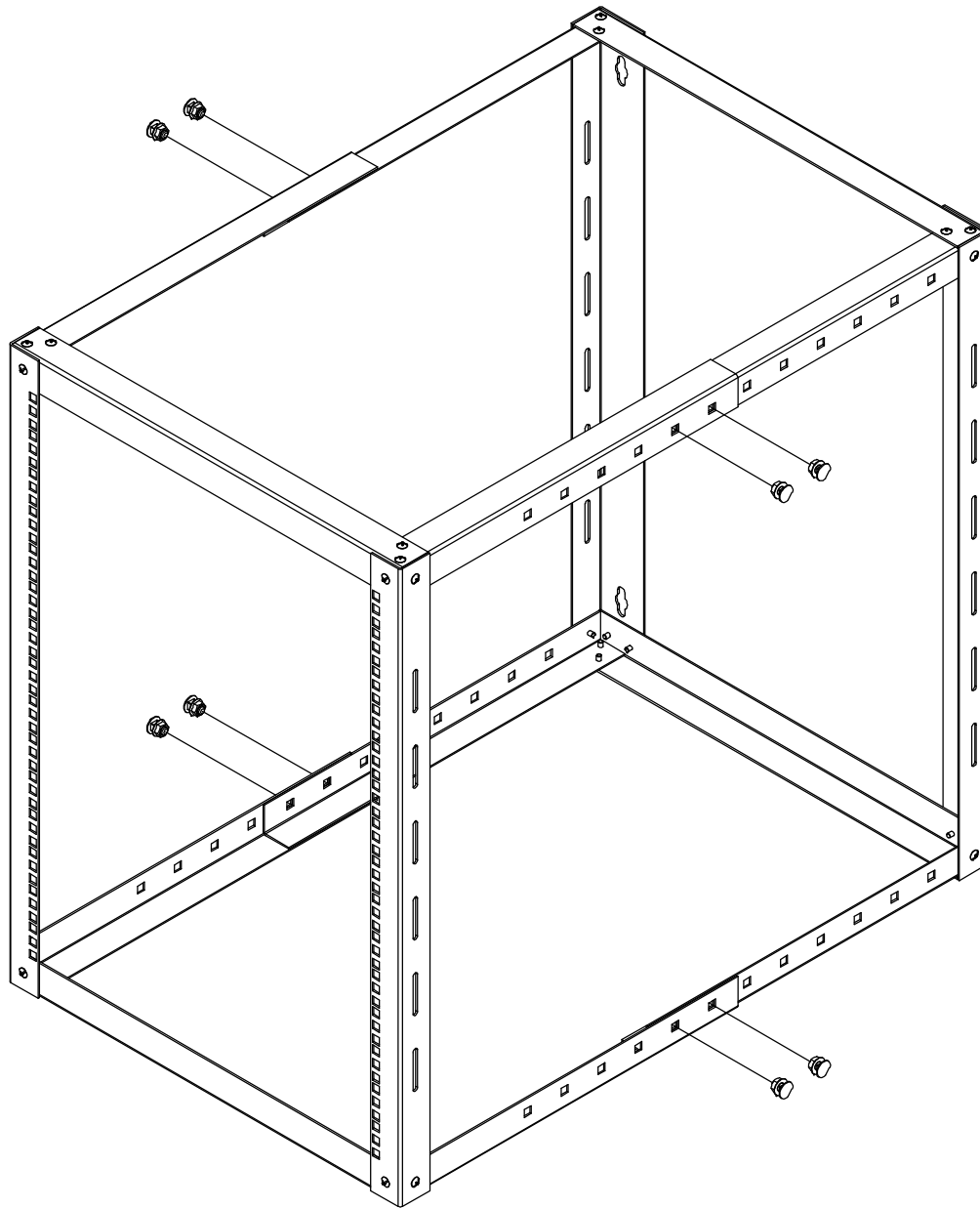


7. Secure vertical post B\*2pcs to E,H, and I by using M5\*10 screw\*6pcs









10. Adjust rack to desired depth and use carriage bolt\*8pcs to secure the rack

