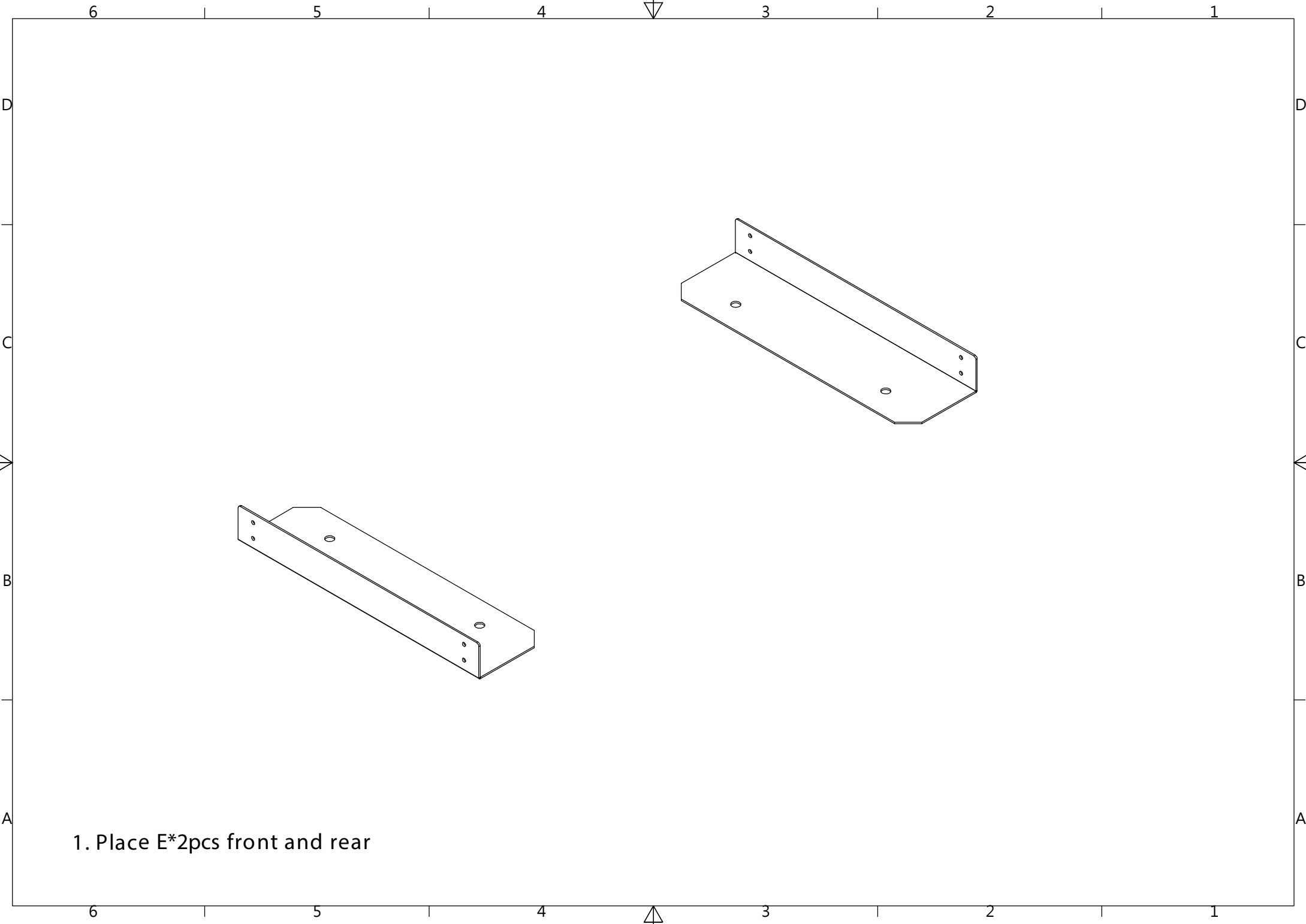
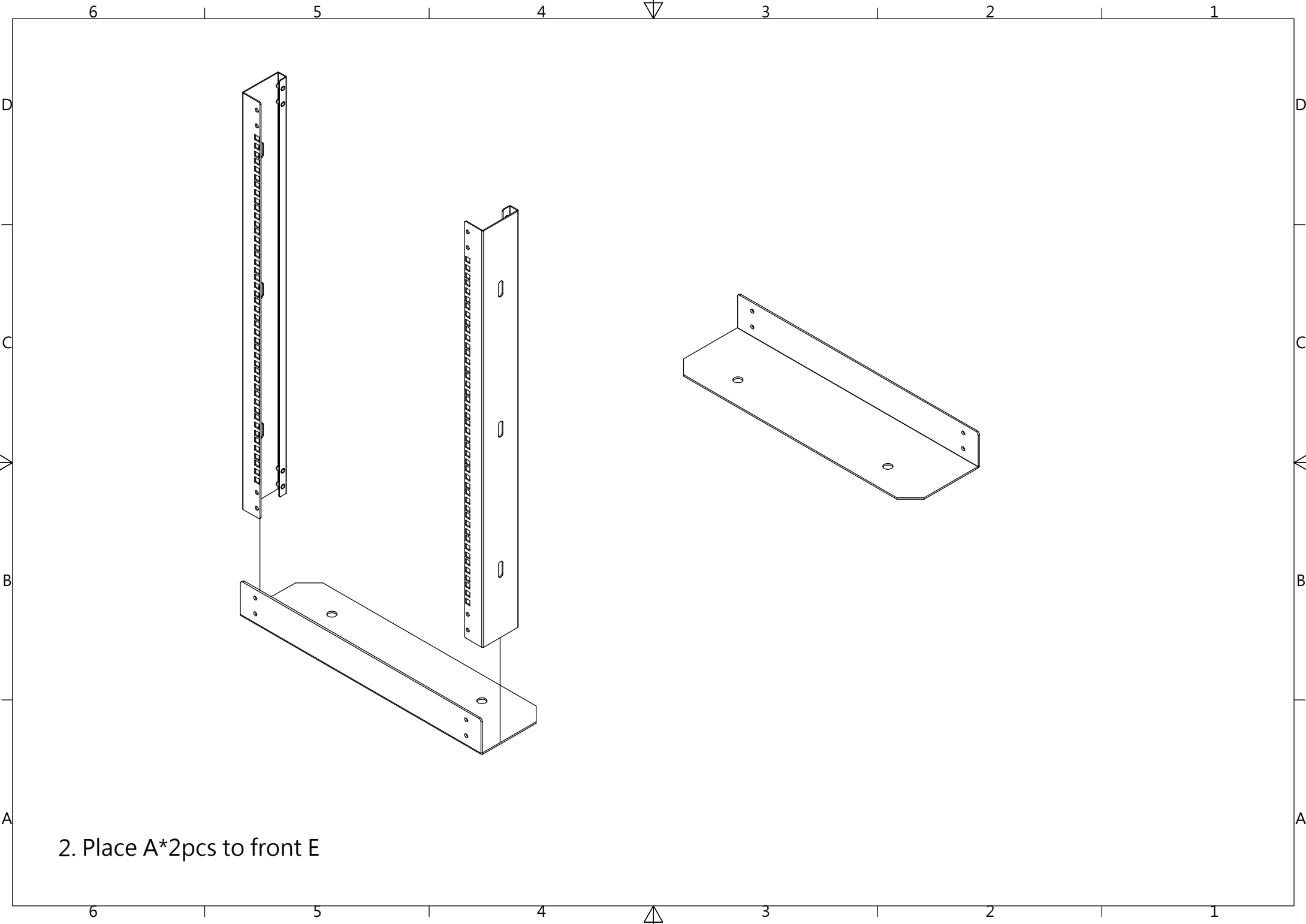


BOM					
No.	Name	Spec.	Material	T	Qty.
A	Mounting Post				4
B	Depth Post (Outer)				4
C	Depth Post (Inner)				4
D	Top Frame		SPHC	3.0	2
E	L Bottom Plate		SPHC	3.0	2
F	Bracket Screw	M5*15			32
G	Carriage Bolt	5/16"*5/8"			8
H	Flat Washer	M5*23*1.5			4
I	Hex Screw	M8*20			4

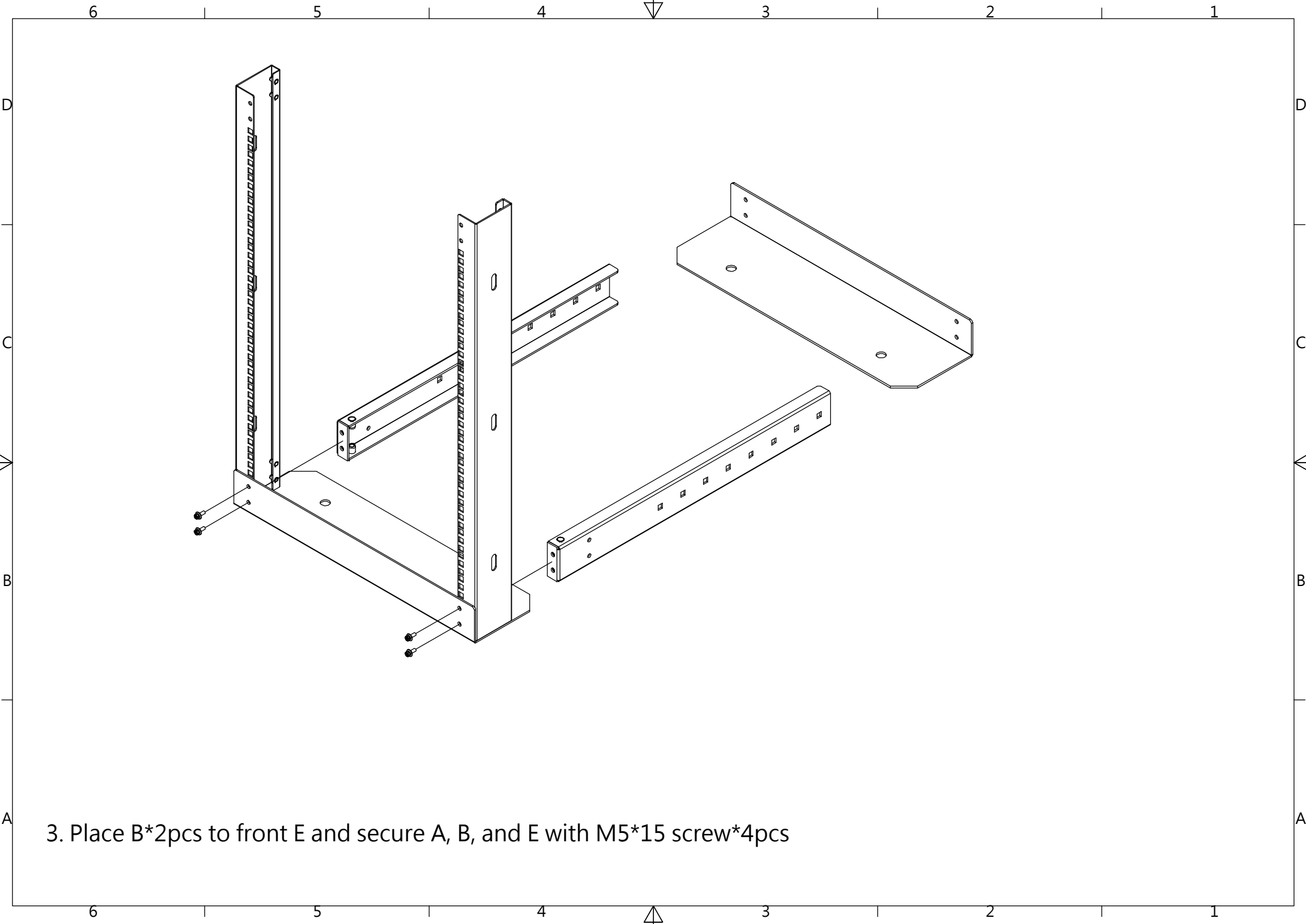




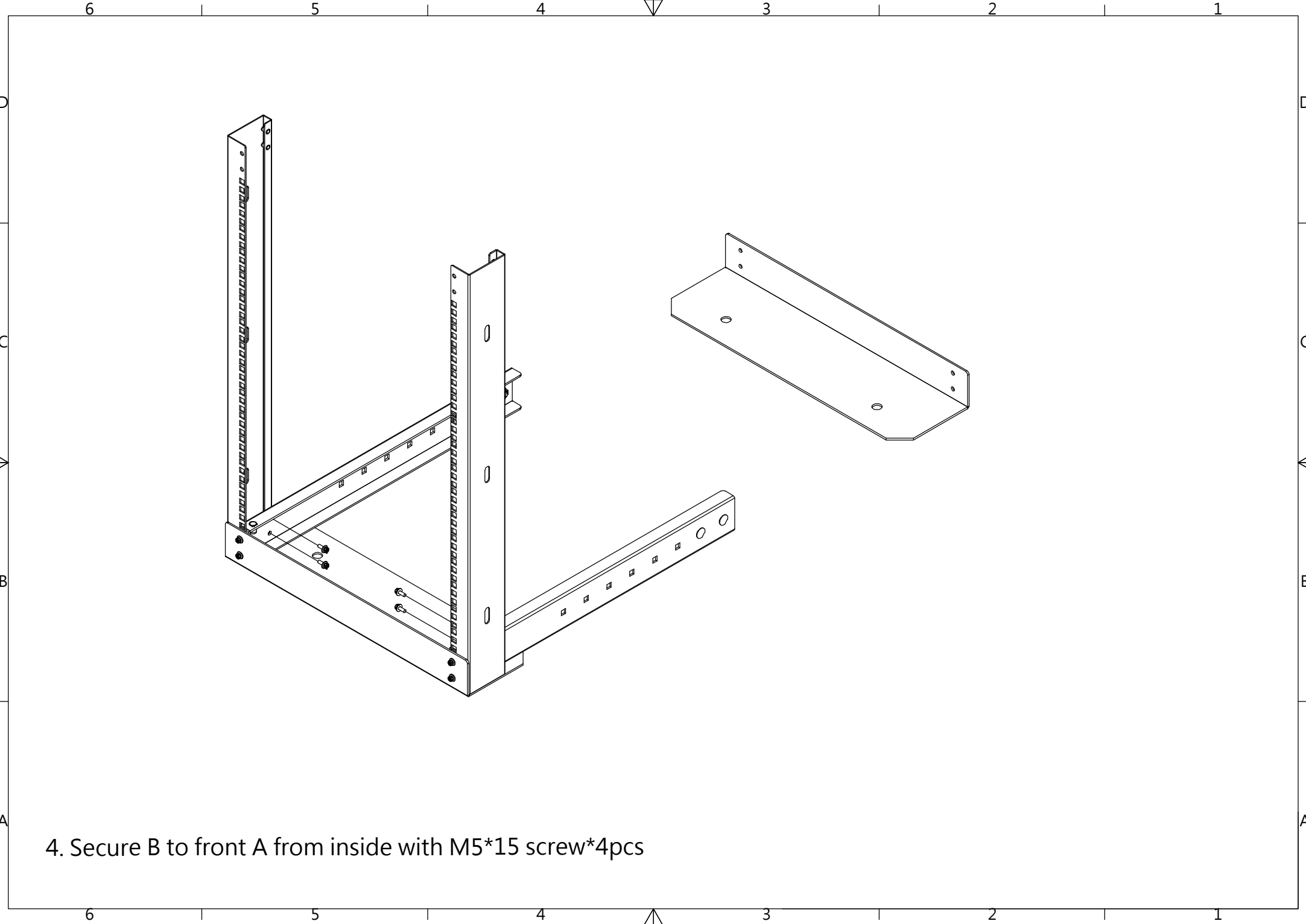
1. Place E\*2pcs front and rear



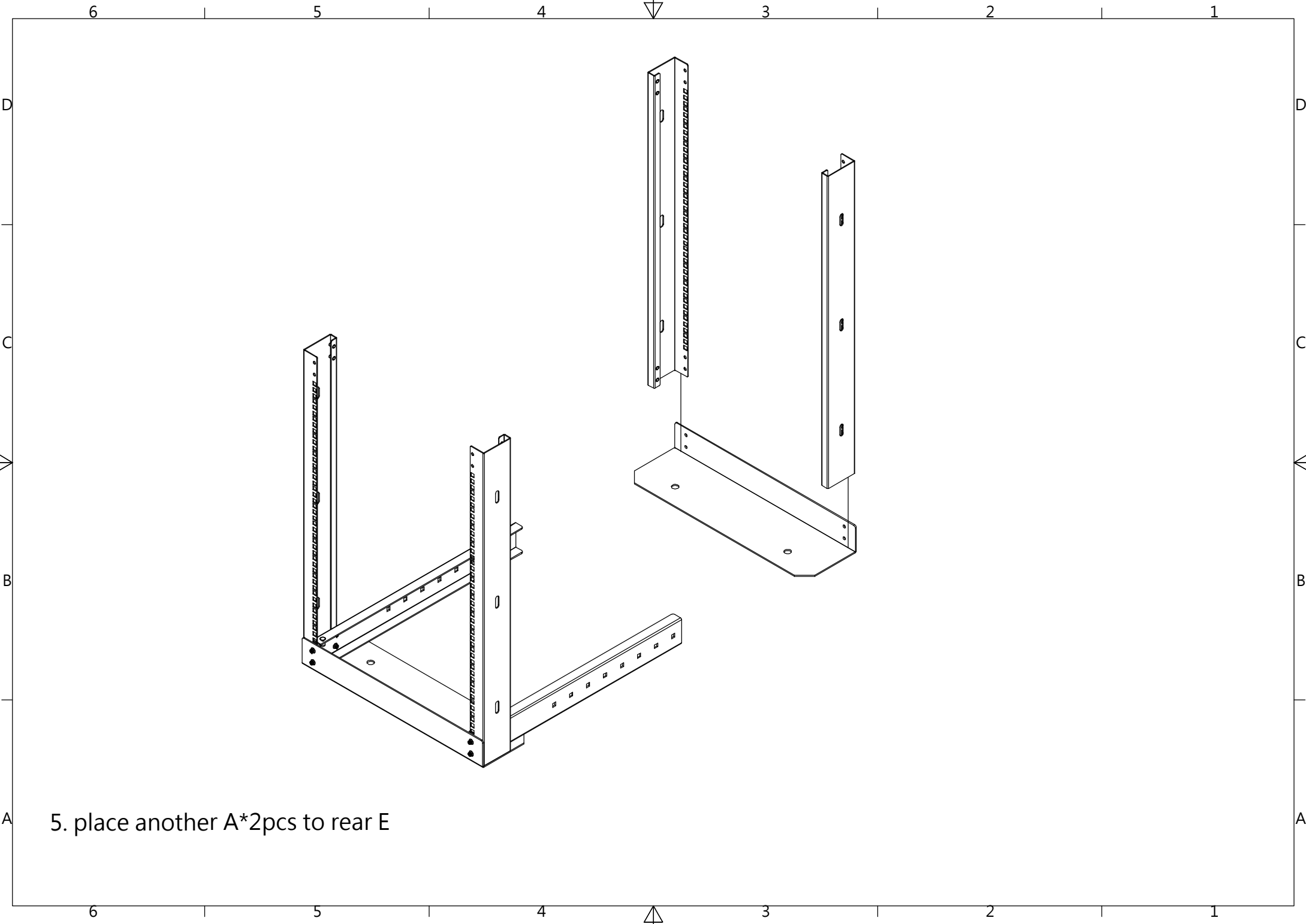
2. Place A\*2pcs to front E



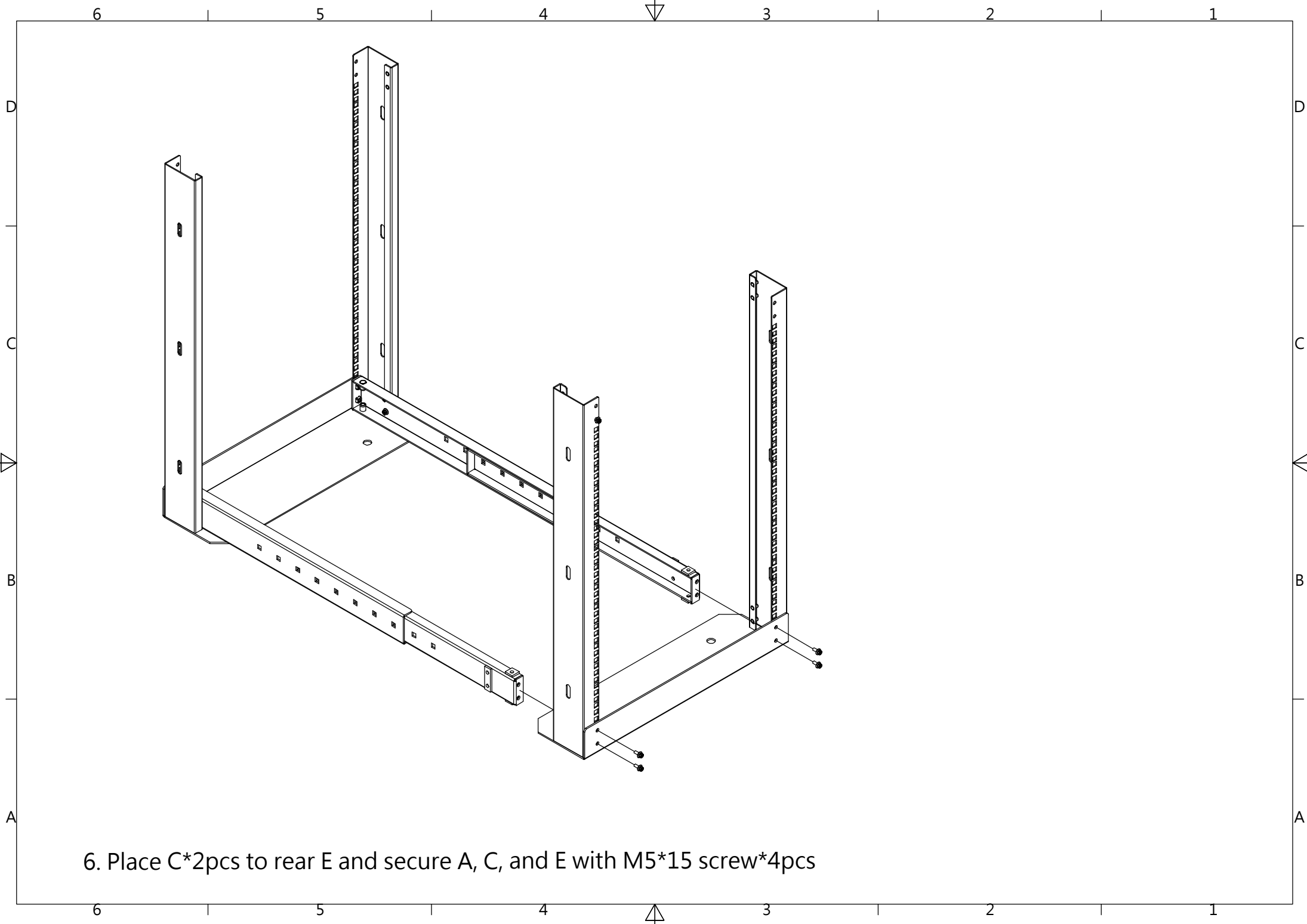
3. Place B\*2pcs to front E and secure A, B, and E with M5\*15 screw\*4pcs



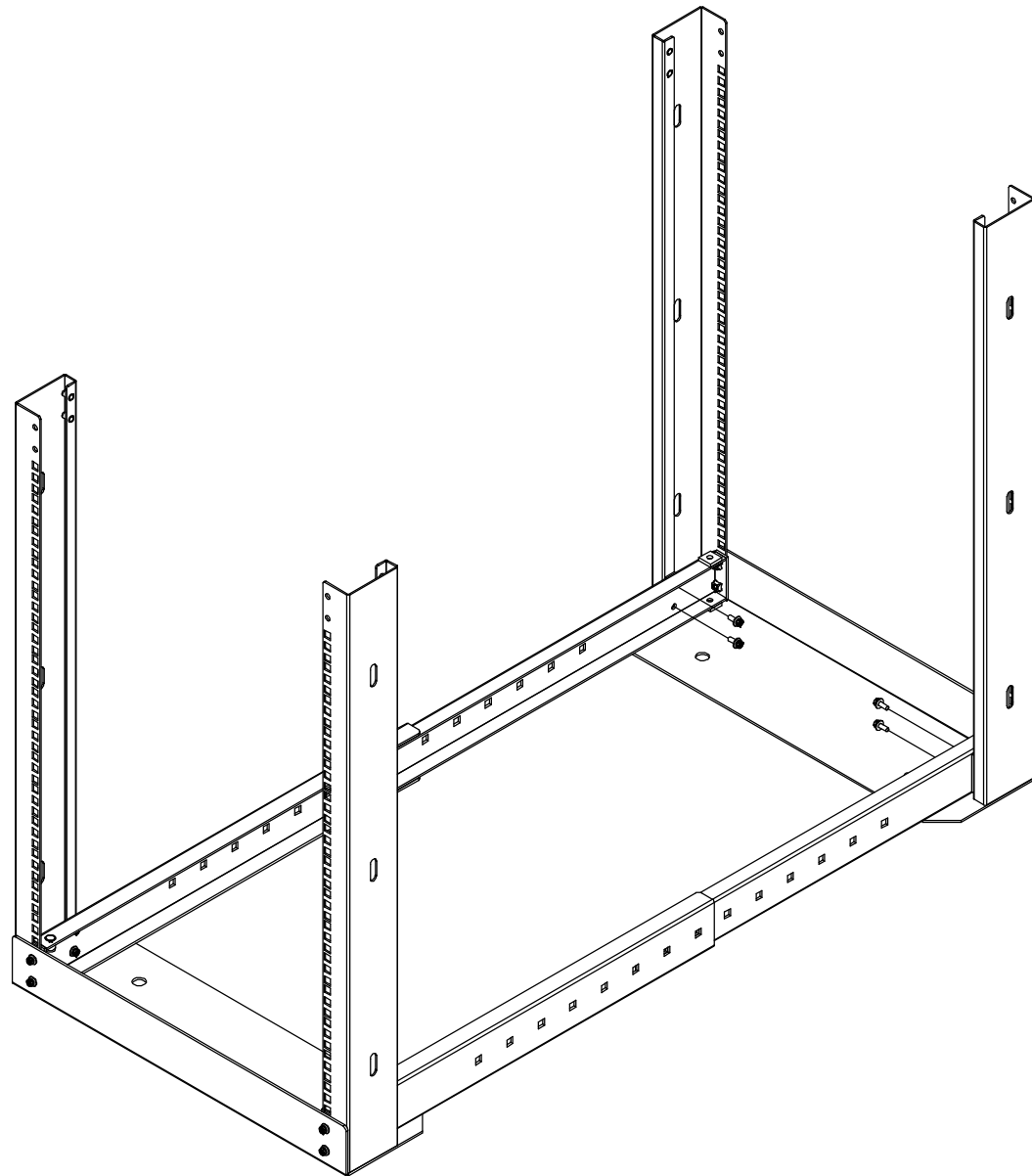
4. Secure B to front A from inside with M5\*15 screw\*4pcs



5. place another A\*2pcs to rear E

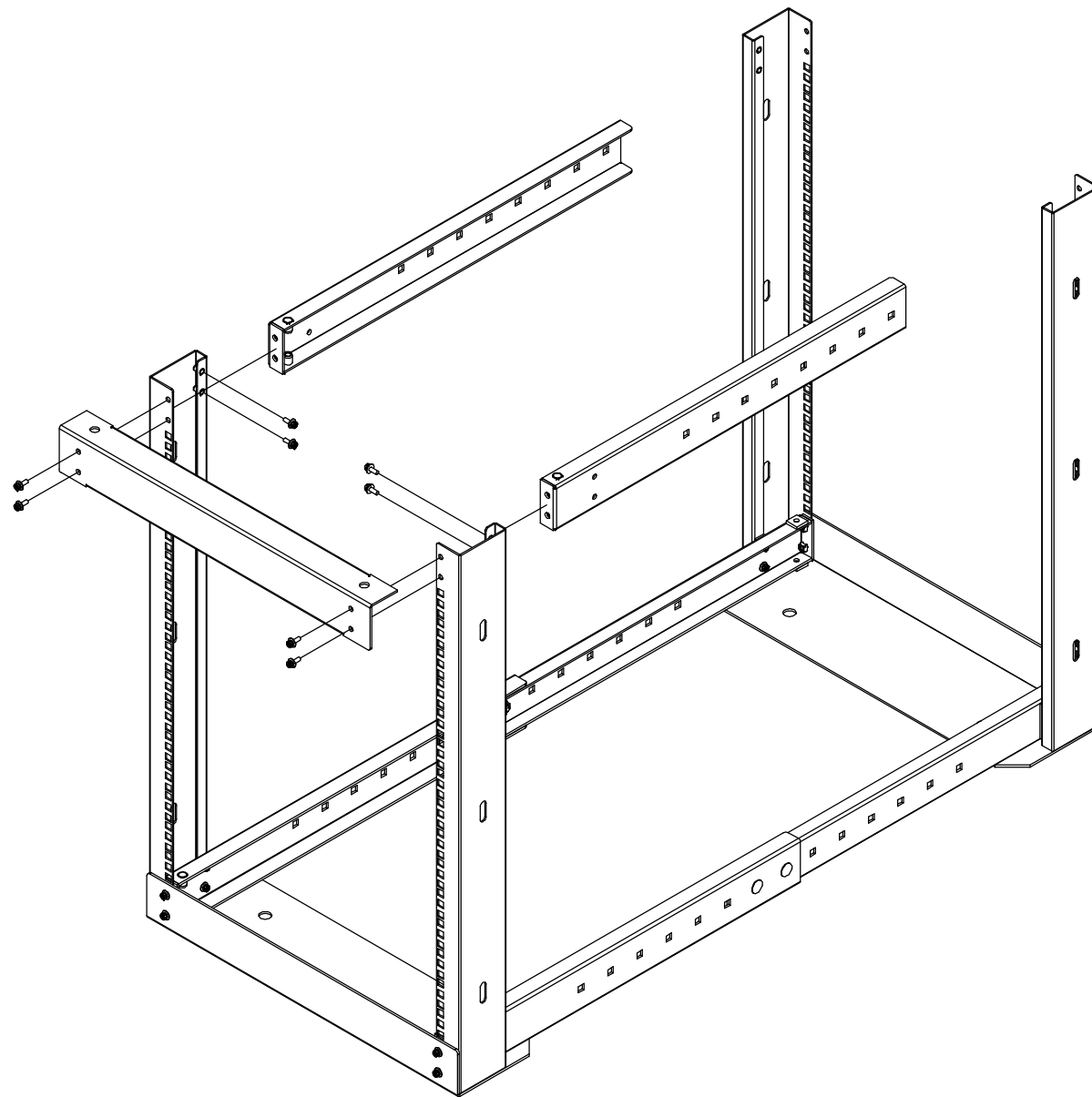


6. Place C\*2pcs to rear E and secure A, C, and E with M5\*15 screw\*4pcs

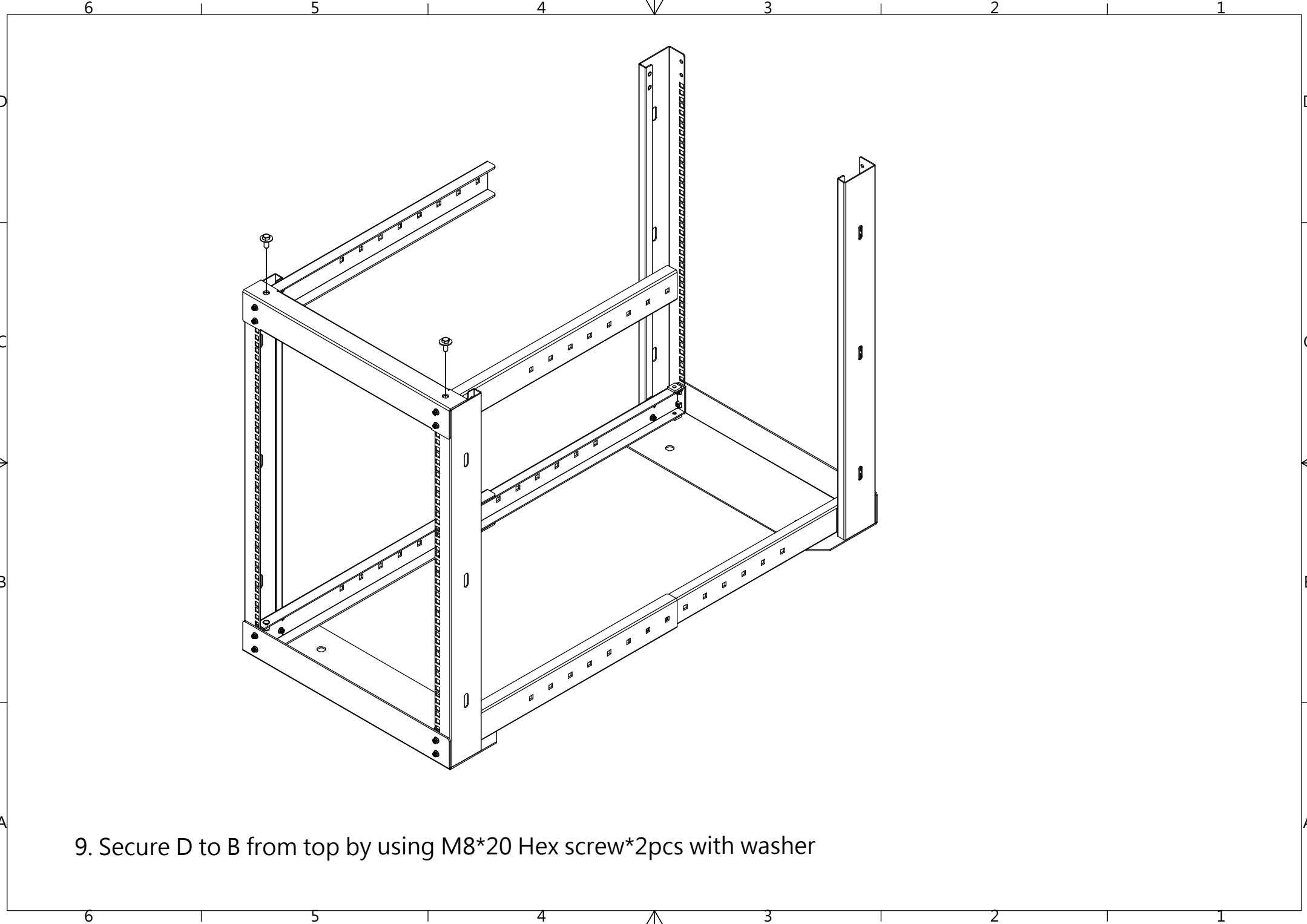


7. Secure C to rear A from inside with M5\*15 screw\*4pcs

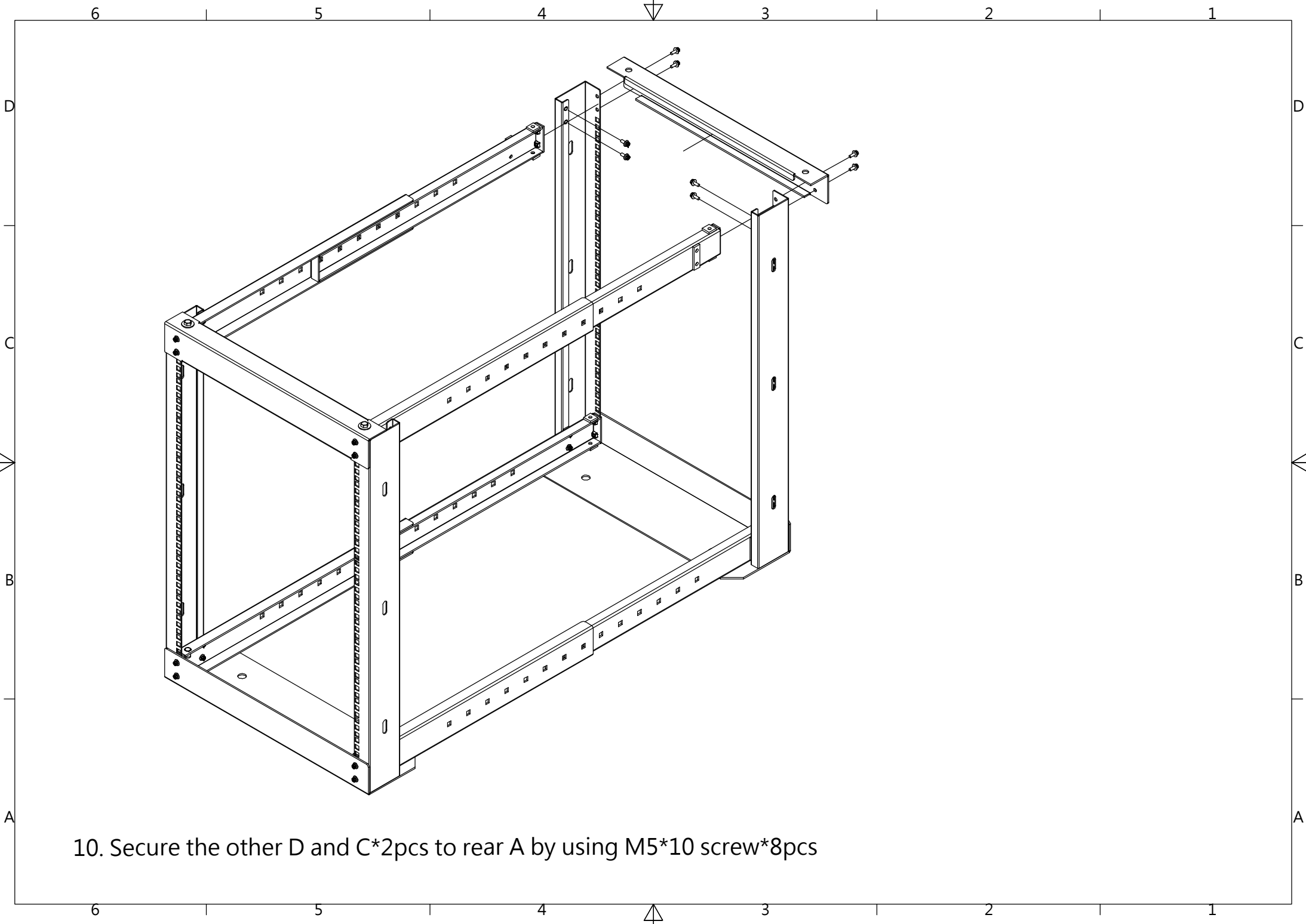




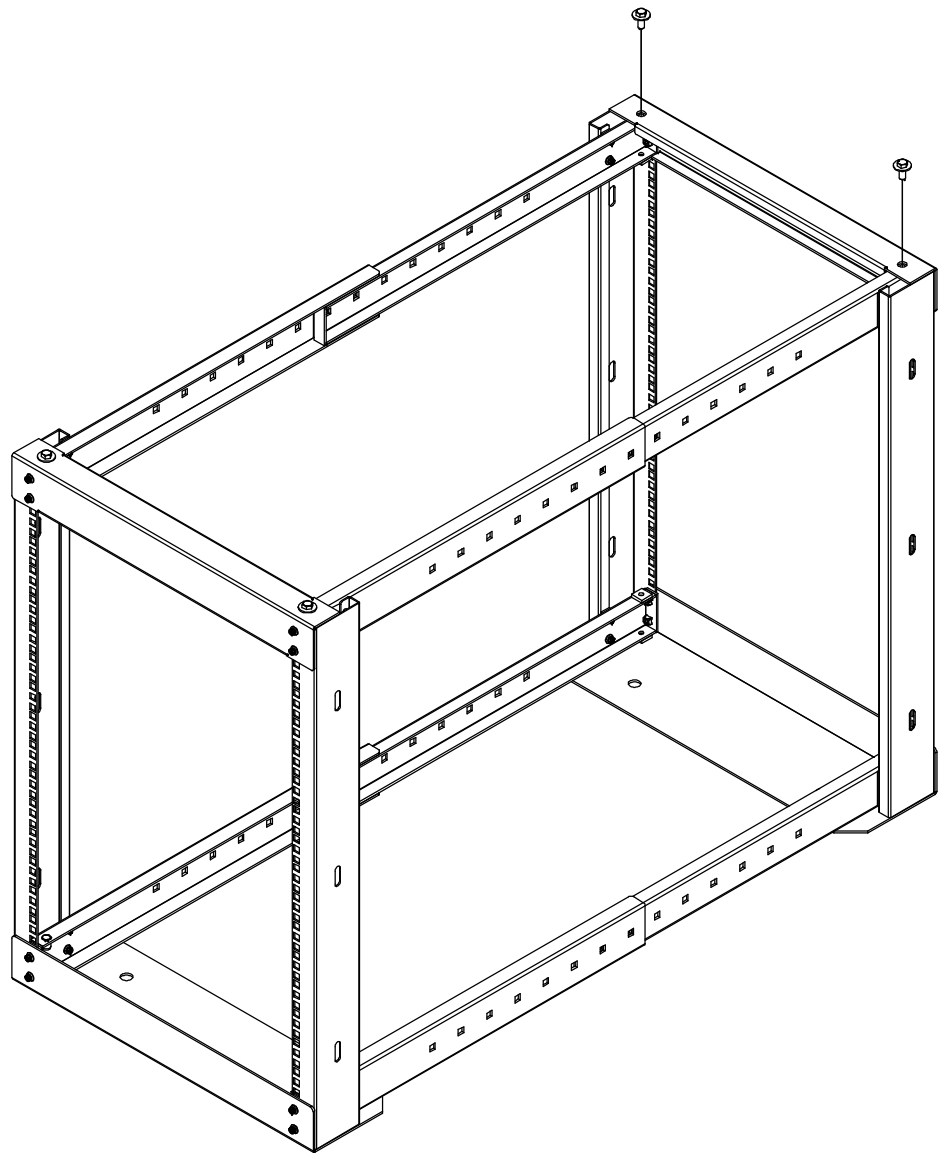
8. Secure D and B\*2pcs to front A by using M5\*10 screw\*8pcs



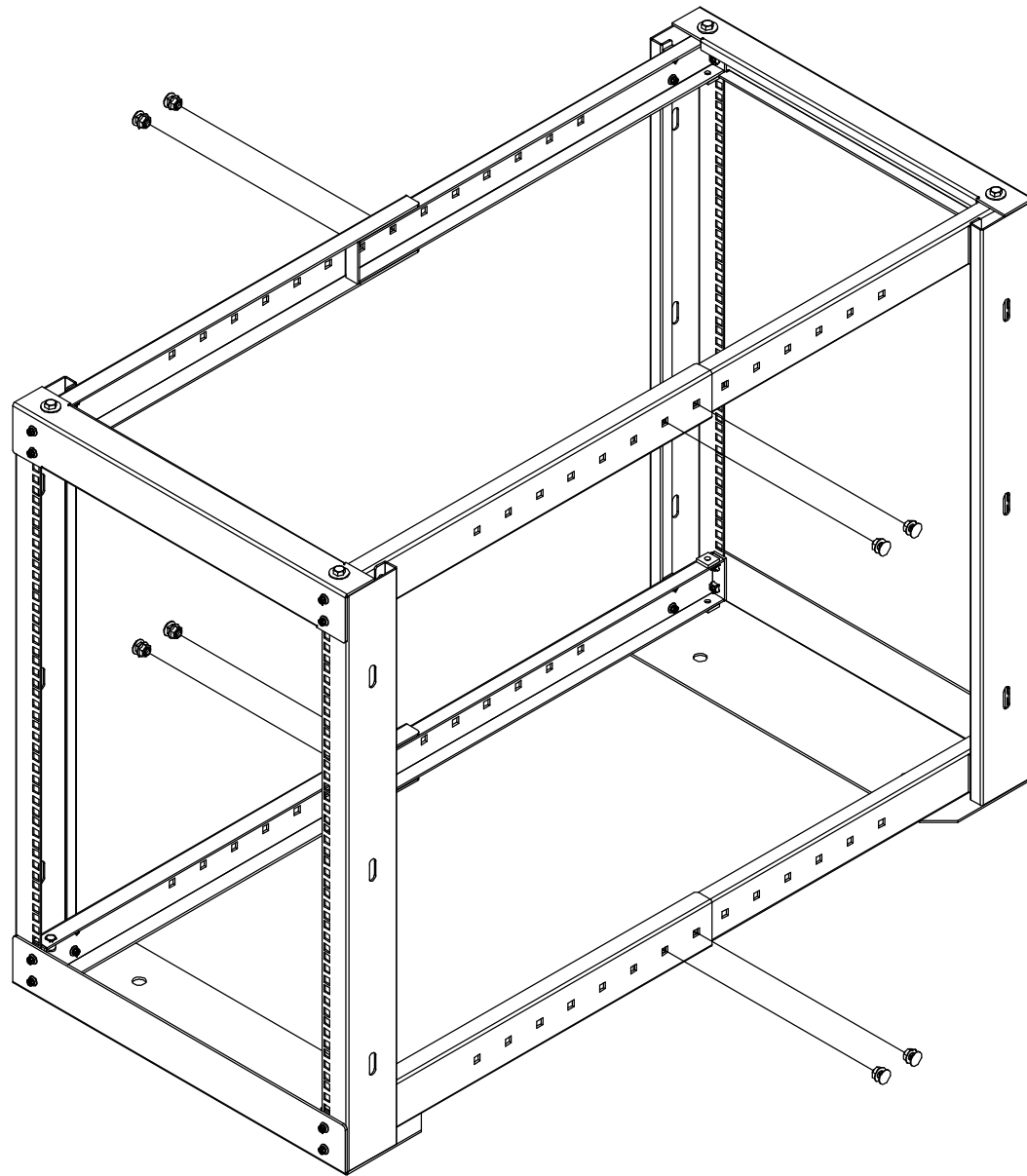
9. Secure D to B from top by using M8\*20 Hex screw\*2pcs with washer



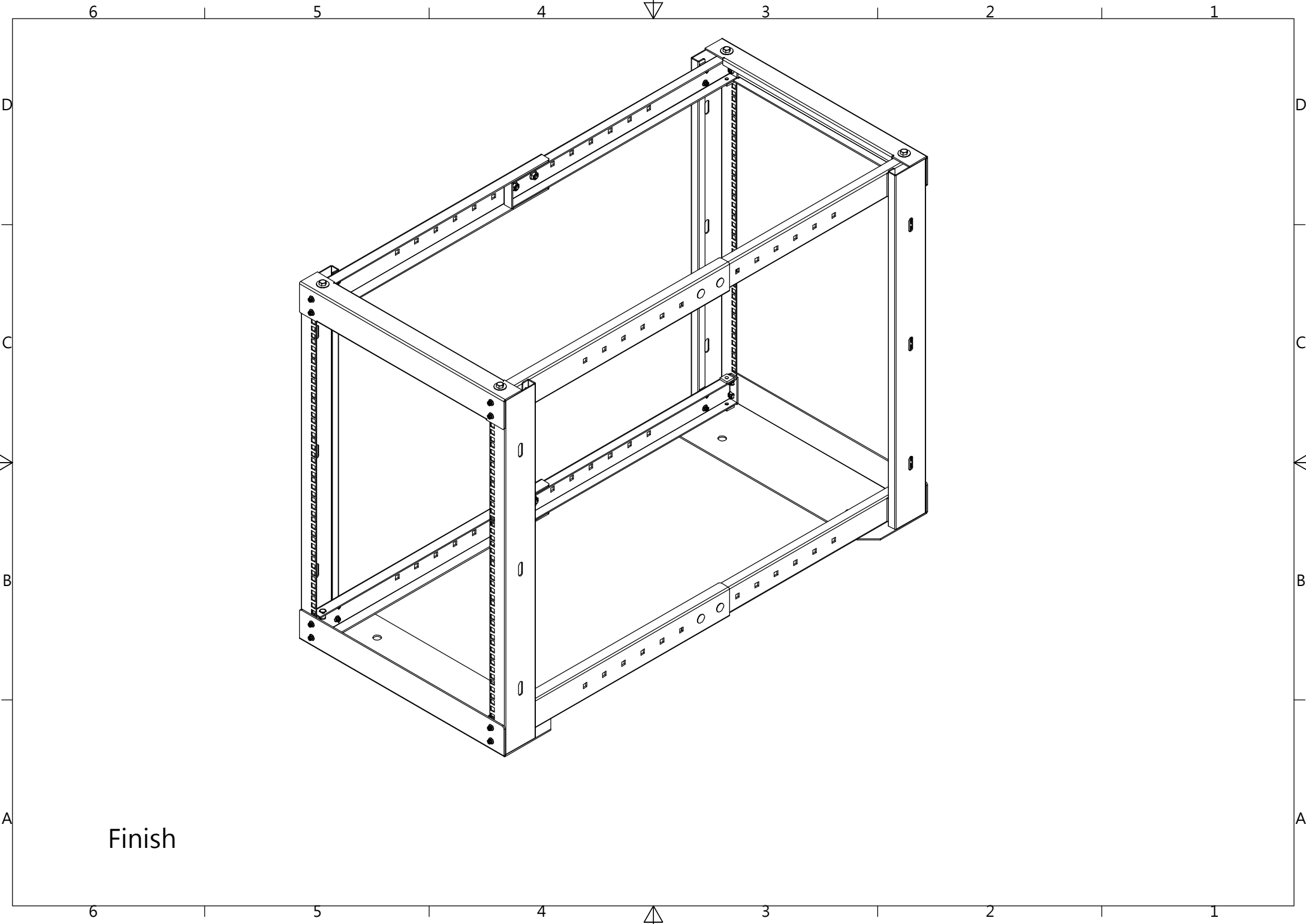
10. Secure the other D and C\*2pcs to rear A by using M5\*10 screw\*8pcs



11. Secure D to C from top by using M8\*20 Hex screw\*2pcs with washer



12. Adjust rack to desired depth and use carriage bolt\*8pcs to secure the rack



6

5

4

3

2

1

D

D

C

C

B

B

A

A

Finish

6

5

4

3

2

1