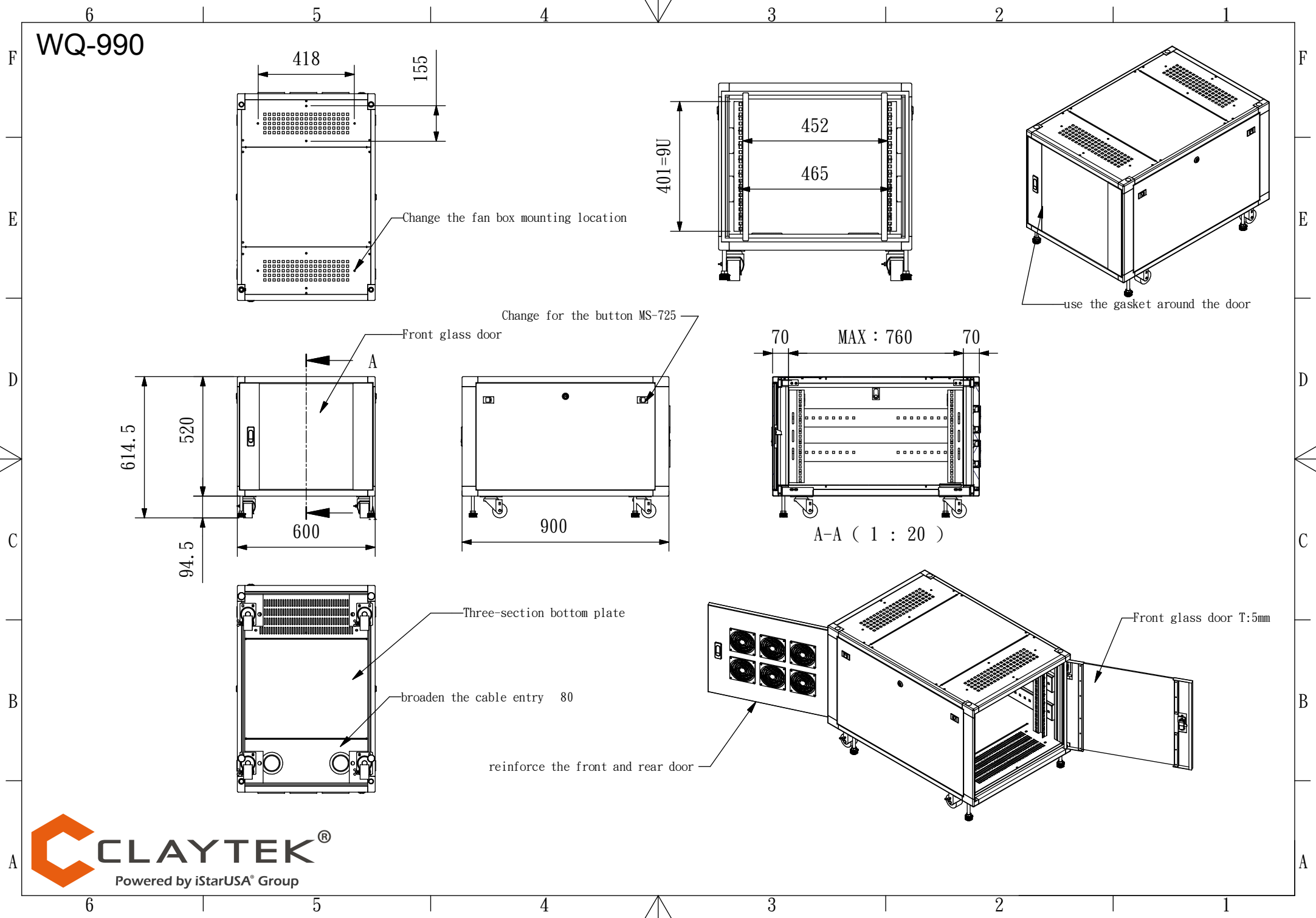
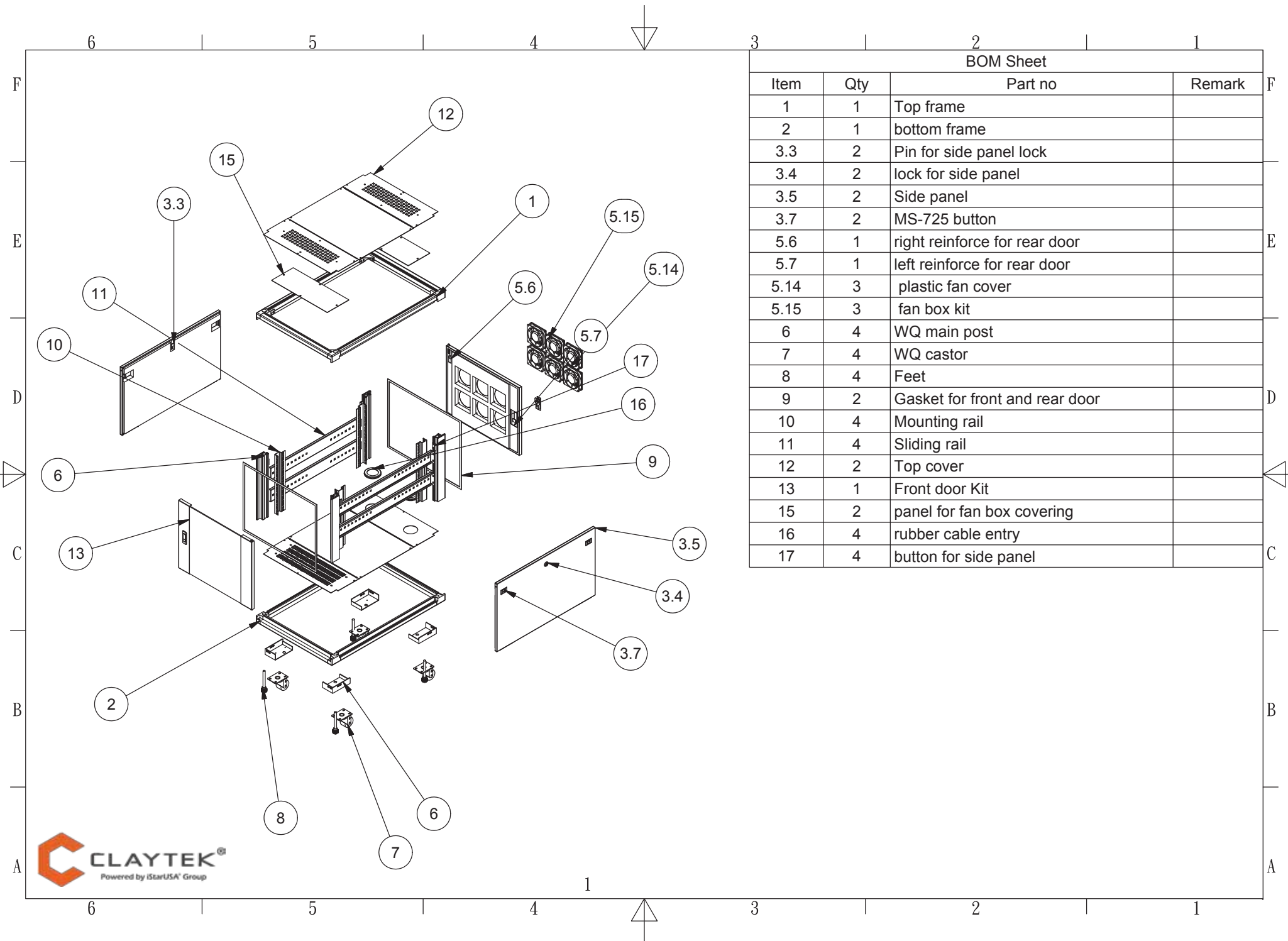


WQ-990





BOM Sheet

Item	Qty	Part no	Remark
1	1	Top frame	
2	1	bottom frame	
3.3	2	Pin for side panel lock	
3.4	2	lock for side panel	
3.5	2	Side panel	
3.7	2	MS-725 button	
5.6	1	right reinforce for rear door	
5.7	1	left reinforce for rear door	
5.14	3	plastic fan cover	
5.15	3	fan box kit	
6	4	WQ main post	
7	4	WQ castor	
8	4	Feet	
9	2	Gasket for front and rear door	
10	4	Mounting rail	
11	4	Sliding rail	
12	2	Top cover	
13	1	Front door Kit	
15	2	panel for fan box covering	
16	4	rubber cable entry	
17	4	button for side panel	



