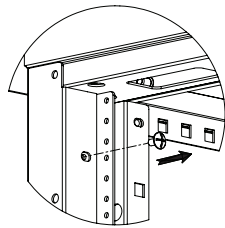
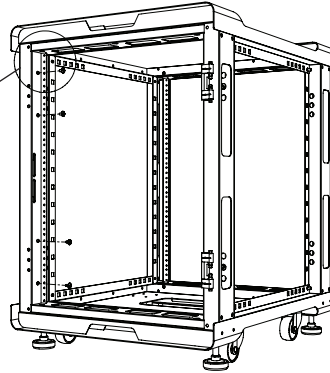


# How to adjust mounting rails:

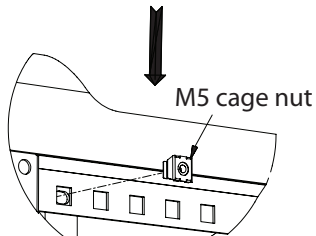
**STEP 1:**  
Unscrew four screws to loosen the vertical post (repeat for all four posts)



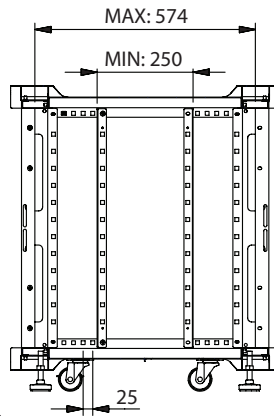
DETAIL: A



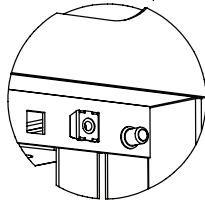
**STEP 2:**  
Relocate the M5 cage nuts. Snap the cage nut from outside of the chassis to the horizontal post where you desire.



DETAIL: B

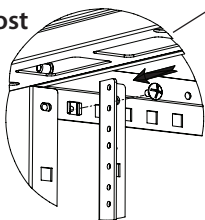


**STEP 3:**  
Repeat step 2 for all 8 corners.

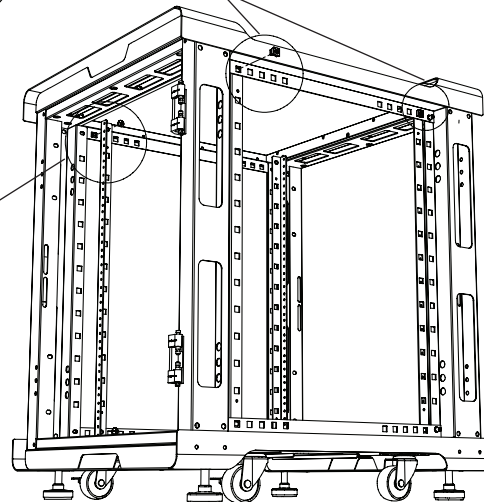


DETAIL: C

**STEP 4:**  
Flip and align the vertical post from step 1 behind the M5 cage nut then screws tight to secure the vertical post (repeat for all four posts)



DETAIL: D

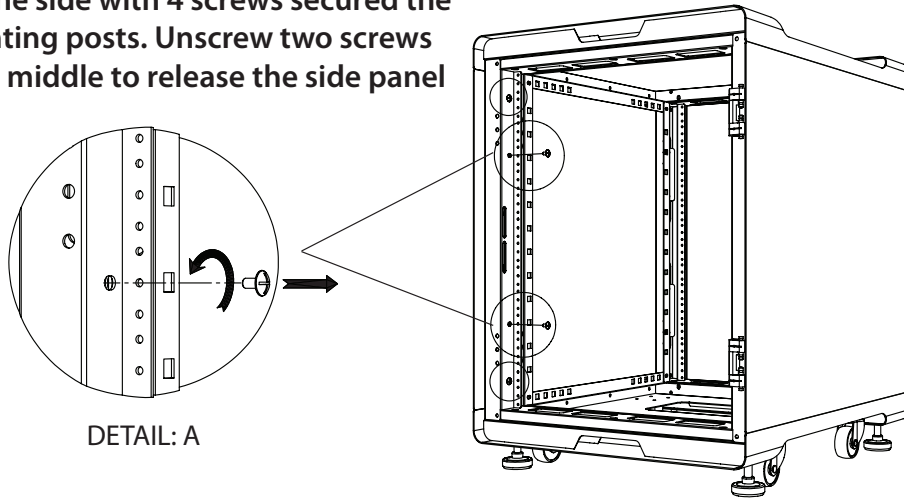


## WS Series

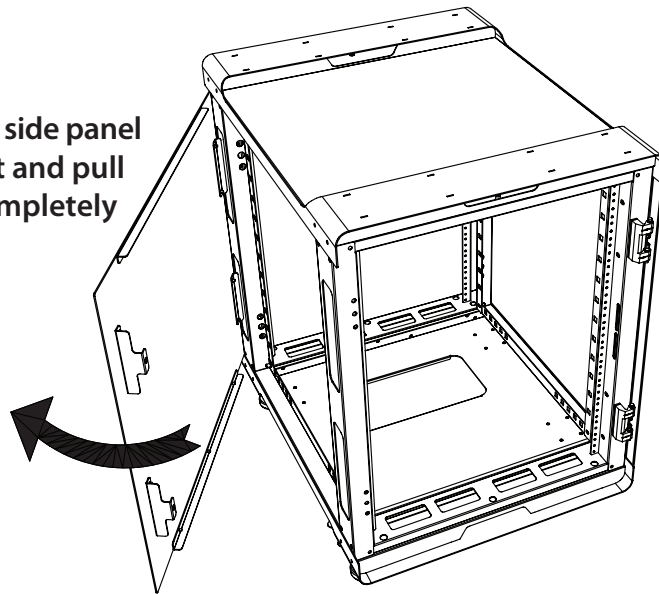
The newest innovation in audio visual data storage

# How to open side panel:

**STEP 1:**  
find the side with 4 screws secured the mounting posts. Unscrew two screws in the middle to release the side panel

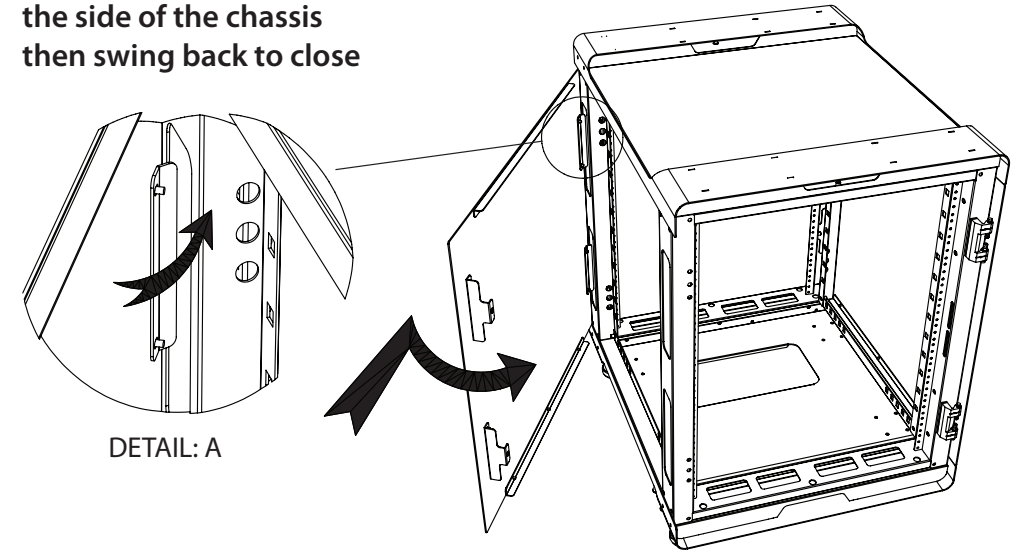


**STEP 2:**  
Swing out the side panel from the front and pull forward to completely remove it.



# How to close side panel:

**STEP 1:**  
Align the side panel to the side of the chassis then swing back to close



**STEP 2:**  
Screw two screws to secure the side panel in place

