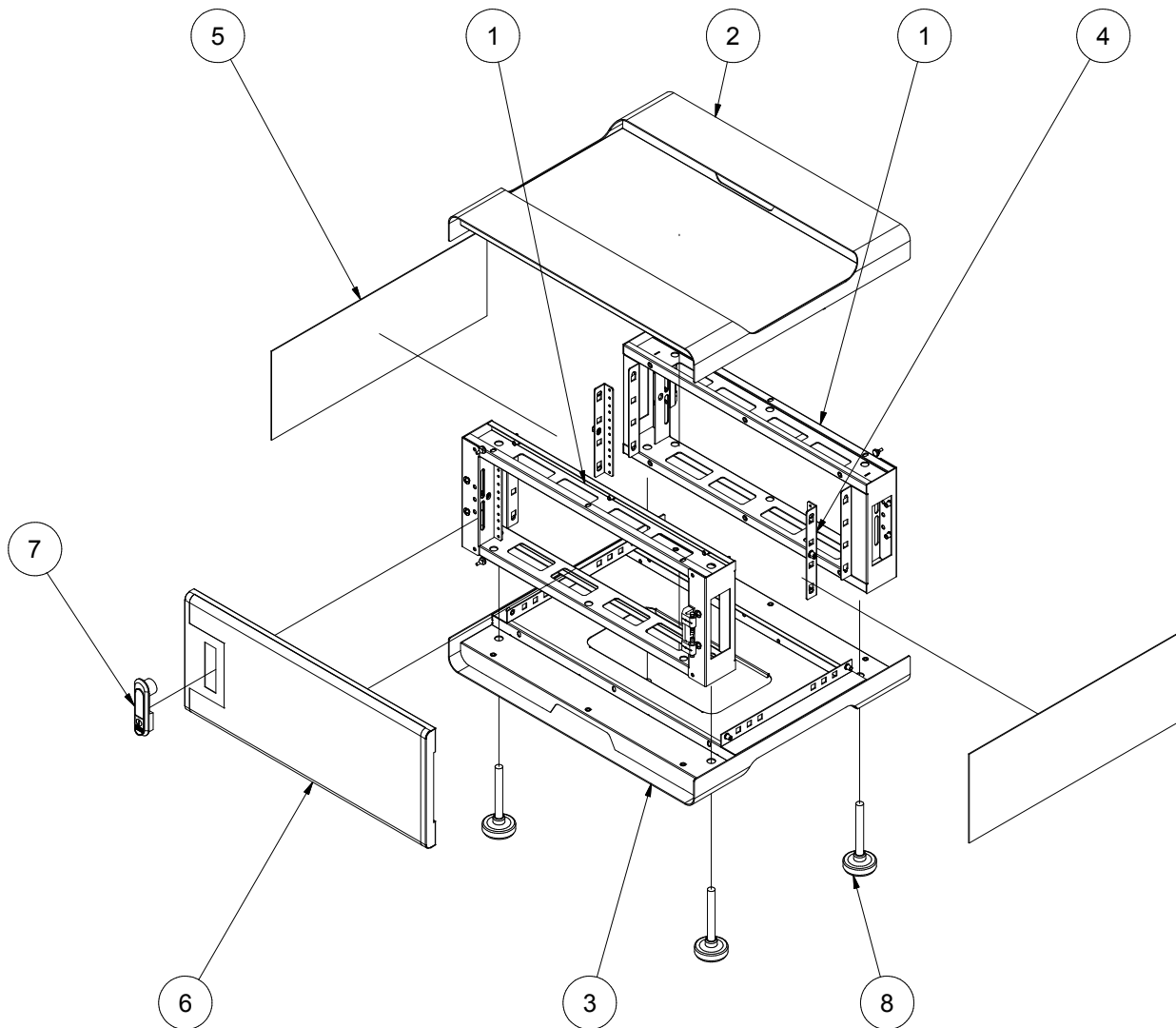


WS-450B



PART LIST			
Item NO	QTY.	Description	Material
1	2	Main frame	SPCC 1.6t
2	1	Top frame	SPCC 1.6~2.0t
3	1	Bottom frame	SPCC 1.6~2.0t
4	4	Mounting post	SPCC 2.0t
5	2	Side panel	Aluminum 2.0t
6	1	Ventilation door	SPCC 1.2t
7	1	Door key lock	Zinc Alloy
8	4	Feet	SPCC