

# WU-120B

## 12U Wallmount Open Frame Rack



### Features

- Quick Access to Rackmount Devices
- Open-frame Construction for Max Air Flow and Temperature Control by Central AC or Room
- Easy and Quick Installation
- Wallmount or Desktop Standalone, Convenient for Storage
- Cost-effective Solution to Free Up Work Space
- Comes with M5 Mounting Screws and Cage Nuts

### Specifications

<b>Model Number</b>	<b>Color</b>
WU-120B	Black
<b>RoHS Compliance</b>	<b>Loading Capacity</b>
YES	165 lbs
<b>Form factor</b>	<b>Supported Chassis Depth</b>
12U	16" and under
<b>Industry Standard</b>	<b>Dimensions (WxHxD)</b>
ANSI/EIA RS-310-C/D, UL, CE	Width 20.10" ( 511 mm ) Height 21.65" ( 550 mm ) Depth 16.10" ( 409 mm )
<b>Material</b>	
Rack:SPCC 2.0mm Base:SPCC 1.6mm	

### Front View



### Side View

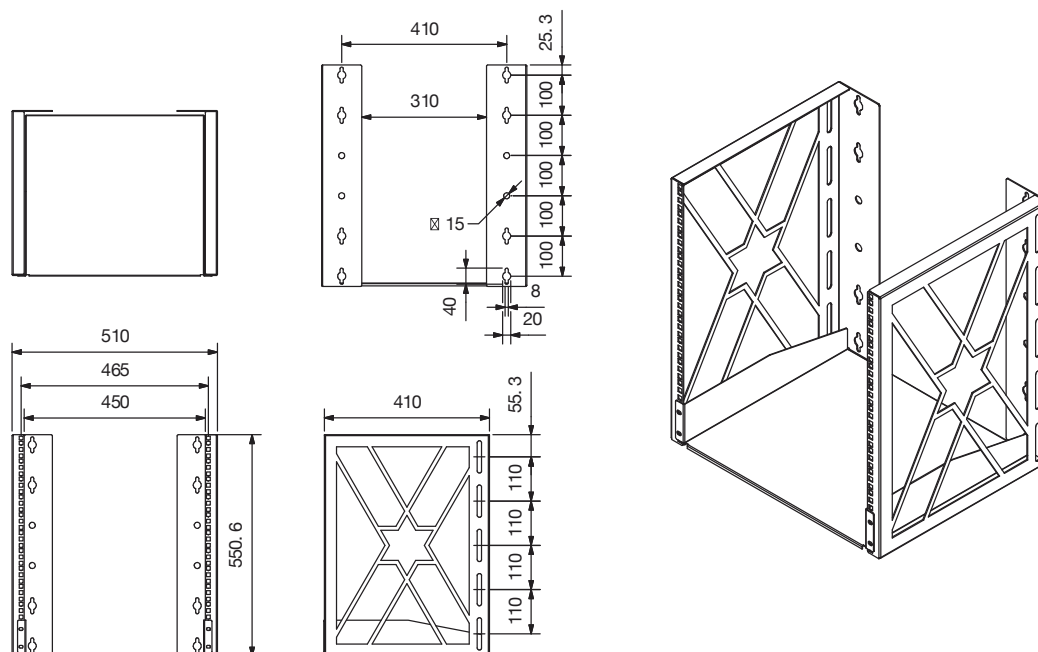


### Rear View



We at iStarUSA Group offer OEM/ODM services for Industrial Power, Custom Power, Chassis, Cabinets, and Data Storage. Through our skilled metal bending, milling, and silk screening we can provide you with unique customizations that will make your product stand out from the rest. With iStarUSA Group's OEM/ODM Solutions you can be sure to receive one-of-a-kind products for your one-of-a-kind business.

Dimensions



Optional Accessories

Model	Description	Model	Description
WA-PD010	10 Outlet Overload Circuit Breaker Protection Power Distribution Unit	WA-PS06A	6 Outlet Power Strip
WA-SW10-M5	Cabinet/ Rack Screw Kit		