

WU-60B

6U Wallmount Open Frame Rack



Features

- Quick Access to Rackmount Devices
- Open-frame Construction for Max Air Flow and Temperature Control by Central AC or Room
- Easy and Quick Installation
- Wallmount or Desktop Standalone, Convenient for Storage
- Cost-effective Solution to Free Up Work Space
- Comes with M5 Mounting Screws and Cage Nuts

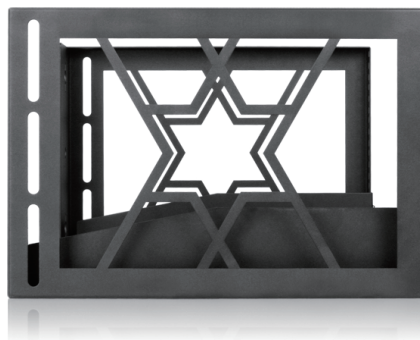
Specifications

Model Number	Loading Capacity
WU-60B	165 lbs
RoHS Compliance	Supported Chassis Depth
YES	16" and under
Form factor	Dimensions (WxHxD)
6U	Width 20.10" (511 mm)
Industry Standard	Height 11.20" (284 mm)
ANSI/EIA RS-310-C/D, UL, CE MIL-STD-167 shock-proof test	Depth 16.10" (409 mm)
Material	
Rack:SPCC 2.0mm	
Base:SPCC 1.6mm	

Front View



Side View

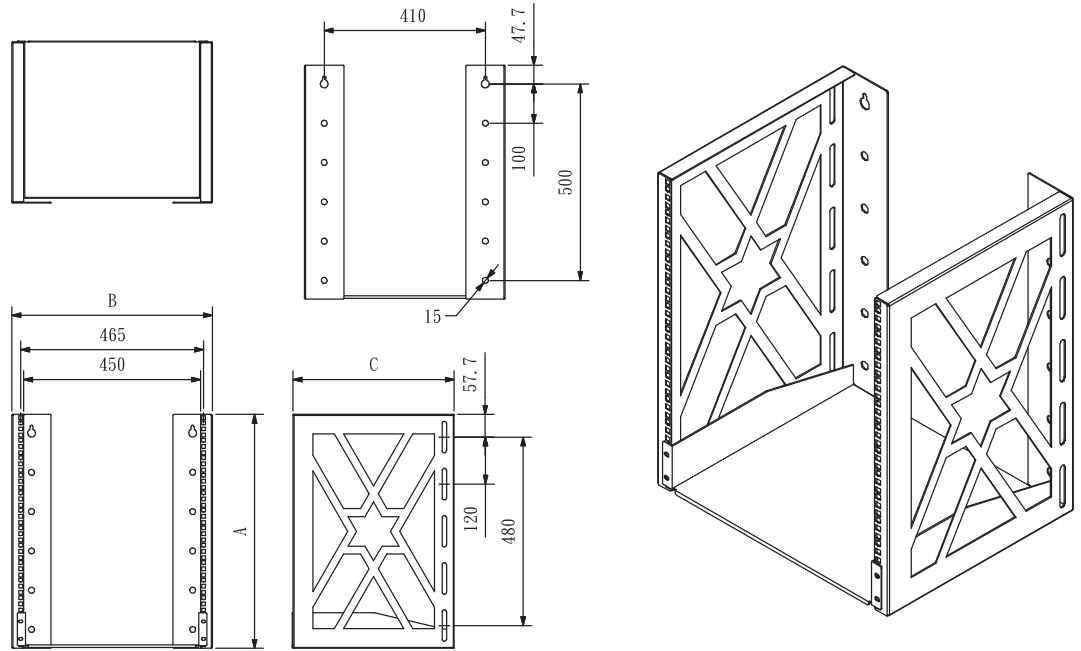


Rear View



We at iStarUSA Group offer OEM/ODM services for Industrial Power, Custom Power, Chassis, Cabinets, and Data Storage. Through our skilled metal bending, milling, and silk screening we can provide you with unique customizations that will make your product stand out from the rest. With iStarUSA Group's OEM/ODM Solutions you can be sure to receive one-of-a-kind products for your one-of-a-kind business.

Dimensions



Optional Accessories

Model	Description	Model	Description
WA-PD010	10 Outlet Overload Circuit Breaker Protection Power Distribution Unit	WA-PS06A	6 Outlet Power Strip
WA-SW10-M5	Cabinet/ Rack Screw Kit		