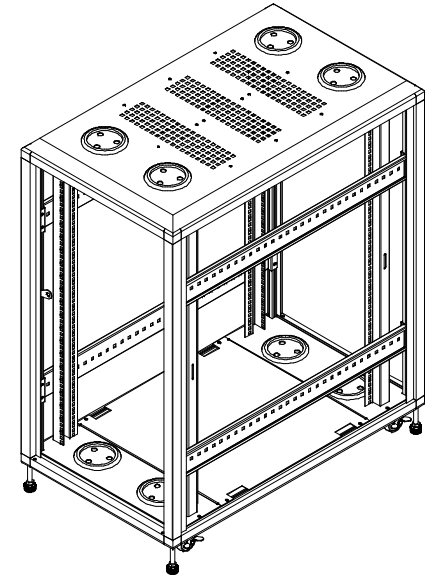
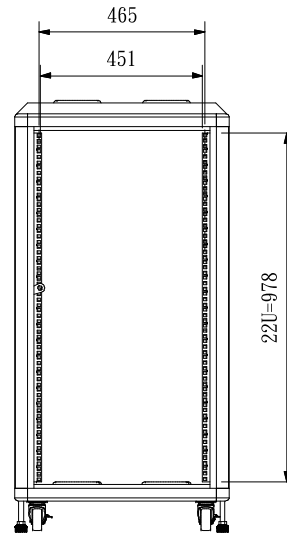
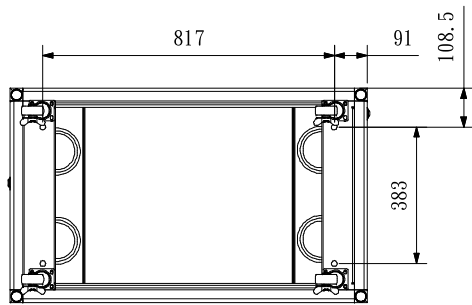
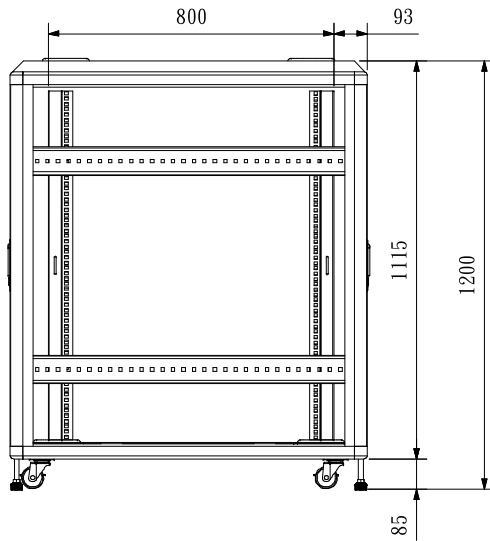
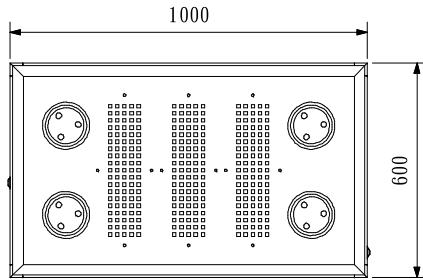


WX-2210



 **CLAYTEK[®]**
Powered by iStarUSA[®] Group