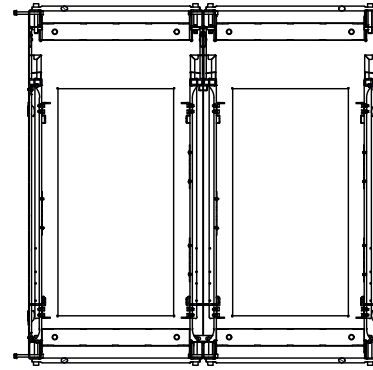
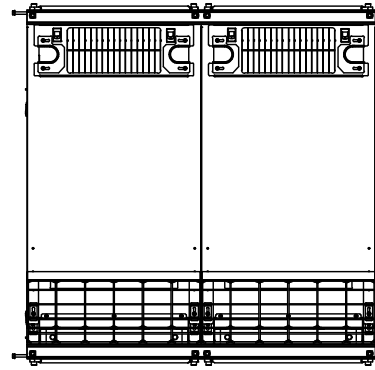
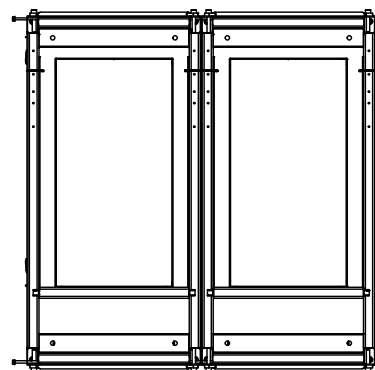
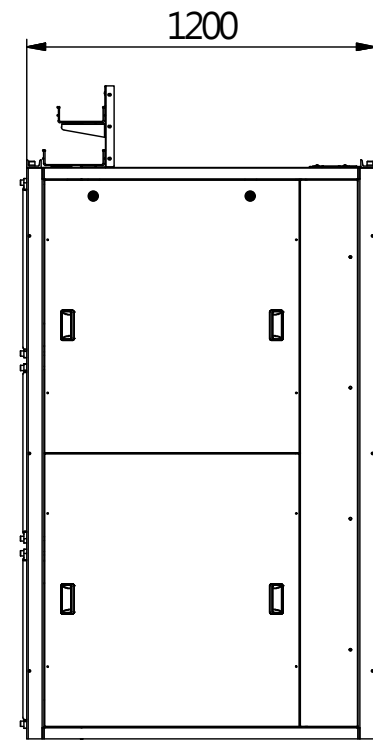
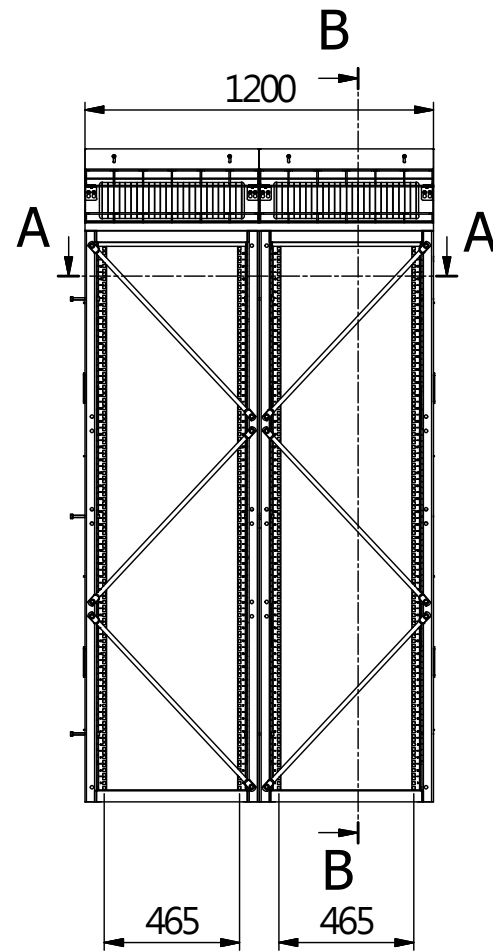
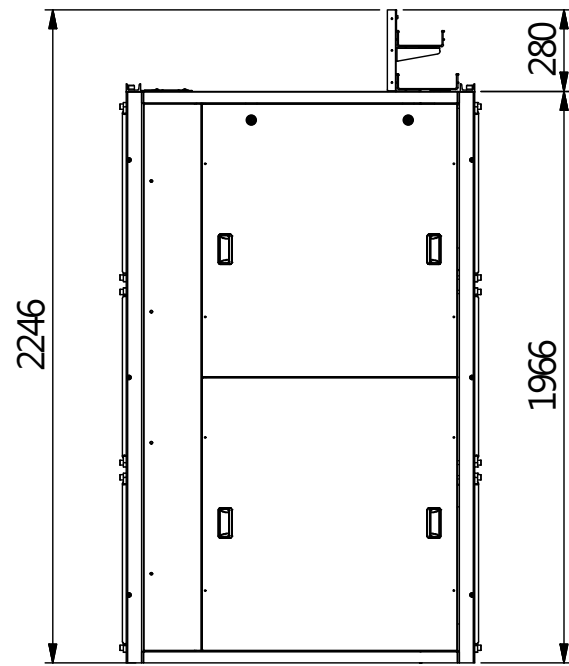
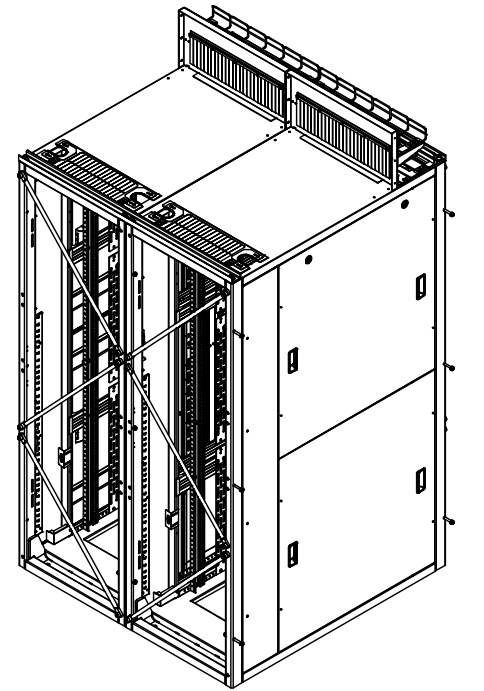
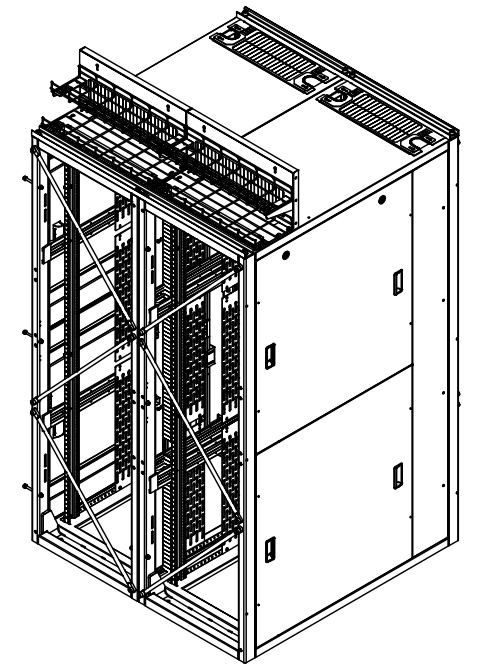
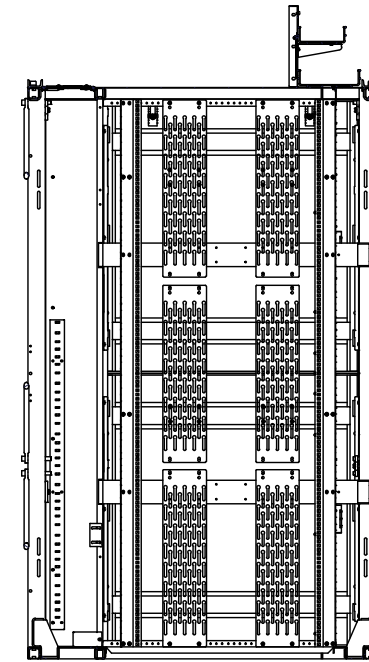


A-A (1:26)



B-B (1:26)



PROPRIETARY AND CONFIDENTIAL
 THE INFORMATION CONTAINED IN THIS
 DRAWING IS THE SOLE PROPERTY OF
 ISTARUSA GROUP. ANY
 REPRODUCTION IN PART OR AS A WHOLE
 WITHOUT THE WRITTEN PERMISSION OF
 ISTARUSA GROUP IS
 PROHIBITED.

		DIMENSIONS ARE IN MM		NAME	DATE
		TOLERANCES:		DRAWN	
		FRACTIONAL ±		CHECKED	
		ANGULAR: MACH ± BEND ±		ENG APPR.	
		TWO PLACE DECIMAL ±		MFG APPR.	
		THREE PLACE DECIMAL ±		Q.A.	
		MATERIAL		COMMENTS:	
NEXT ASSY	USED ON	FINISH			
BY	EA				



WXE-4212

SIZE DWG. NO. REV.
 A3 S190500022 0
 SCALE: 1:26 WEIGHT: 不適用 SHEET: 1 / 1