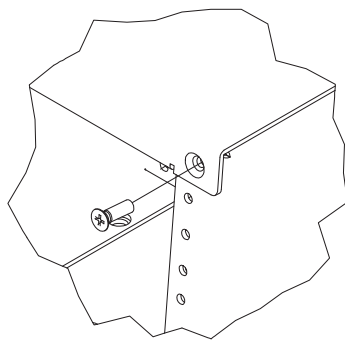


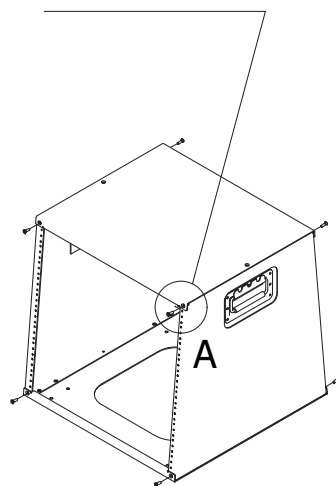
CAUTION NOTE:

In step 2, you need to be very careful mounting the screws. Do not do it by force, in case you damage the mounting thread.

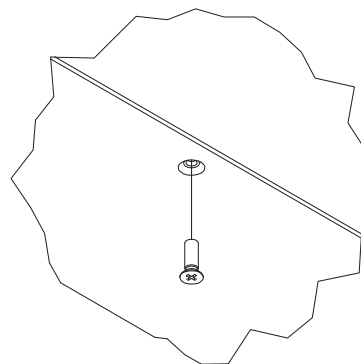
STEP.2



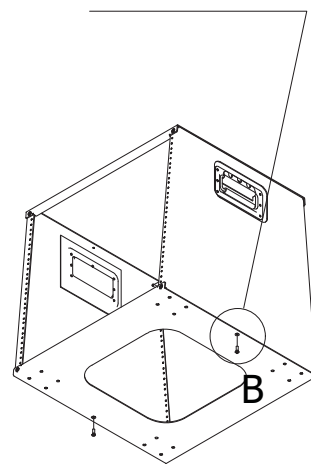
DETAIL : A



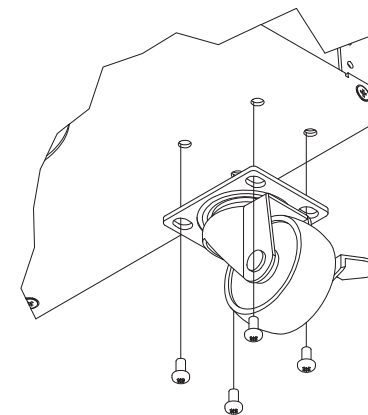
STEP.3



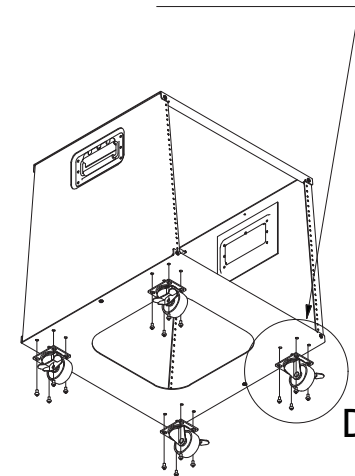
DETAIL : B



STEP.4



DETAIL : C



STEP.1

