

FS-1002

Fanless Desktop for 3.5" SBC



Features

- Designed for 3.5 inch motherboard with CPU TDP 6W max
- 2 x front USB 2.0 ports (USB 3.0 optional)
- Fully customizable and ready to be OEM/ODM

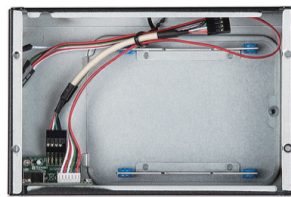
Specifications

Model Number	Back Panel
FS-1002	To be determined with selected motherboard and system specification
RoHS Compliance	Motherboard Size:
YES	For 3.5" SBC
Standard Drive Bays	External Adapter Input
Internal Drive Bay : 2.5" HDD x 1	9V-36V DC In
Front Panel	Dimensions (WxHxD)
Power SW./ Power LED./ HDD LED./ USB 2.0 Port x2.	Width 6.80" (172.7 mm)
	Height 2.10" (53.3 mm)
	Depth 4.50" (114.3 mm)

Front View



Inside View

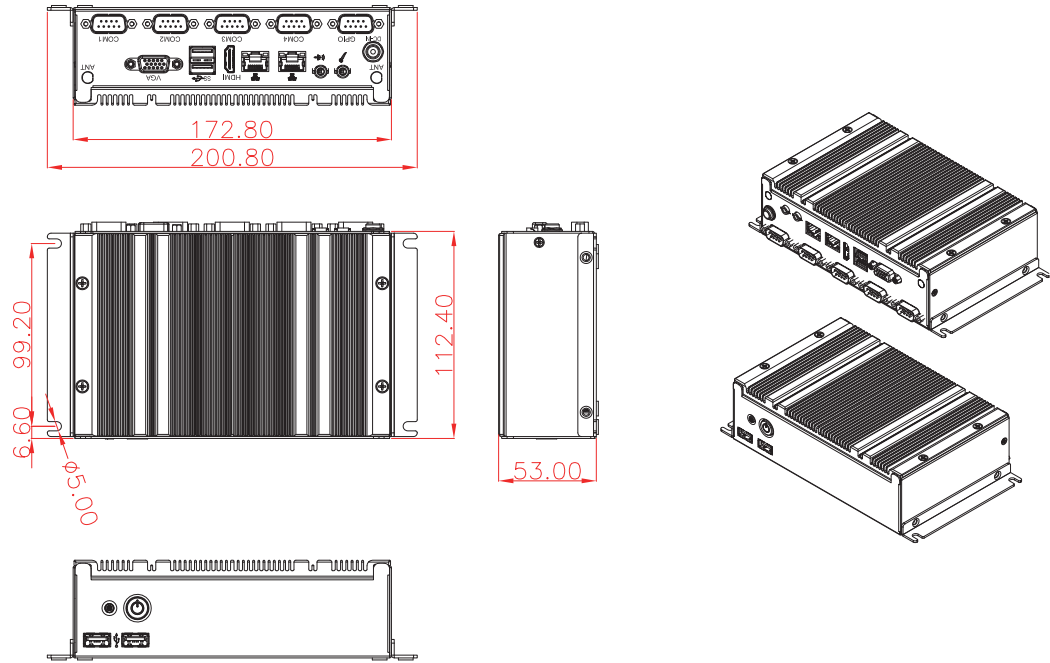


Rear View



We at iStarUSA Group offer OEM/ODM services for Industrial Power, Custom Power, Chassis, Cabinets, and Data Storage. Through our skilled metal bending, milling, and silk screening we can provide you with unique customizations that will make your product stand out from the rest. With iStarUSA Group's OEM/ODM Solutions you can be sure to receive one-of-a-kind products for your one-of-a-kind business.

Dimensions



UNIT : mm

Ordering Information

Part Number	Description
FS-1002	Fanless Desktop for 3.5"SBC