

# FS-1003

## Fanless Desktop for 3.5" SBC



### Features

- Designed for 3.5 inch motherboard with CPU TDP 15W max
- Fully customizable and ready to be OEM/ODM

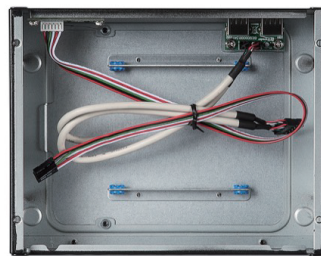
### Specifications

<b>Model Number</b>	<b>Back Panel</b>
FS-1003	To be determined with selected motherboard and system specification
<b>RoHS Compliance</b>	<b>Motherboard Size:</b>
YES	For 3.5" SBC
<b>Standard Drive Bays</b>	<b>External Adapter Input</b>
Internal Drive Bay : 2.5" HDD x 1	9V-36V DC In
<b>Front Panel</b>	<b>Dimensions (WxHxD)</b>
Power SW./ Power LED./ HDD LED./ USB 2.0 Port x2.	<b>Width</b> 7.40" ( 188.0 mm )
	<b>Height</b> 2.70" ( 68.6 mm )
	<b>Depth</b> 5.80" ( 147.3 mm )

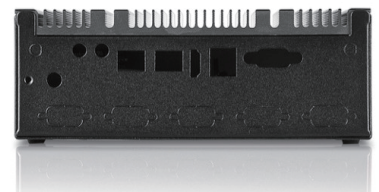
### Front View



### Inside View

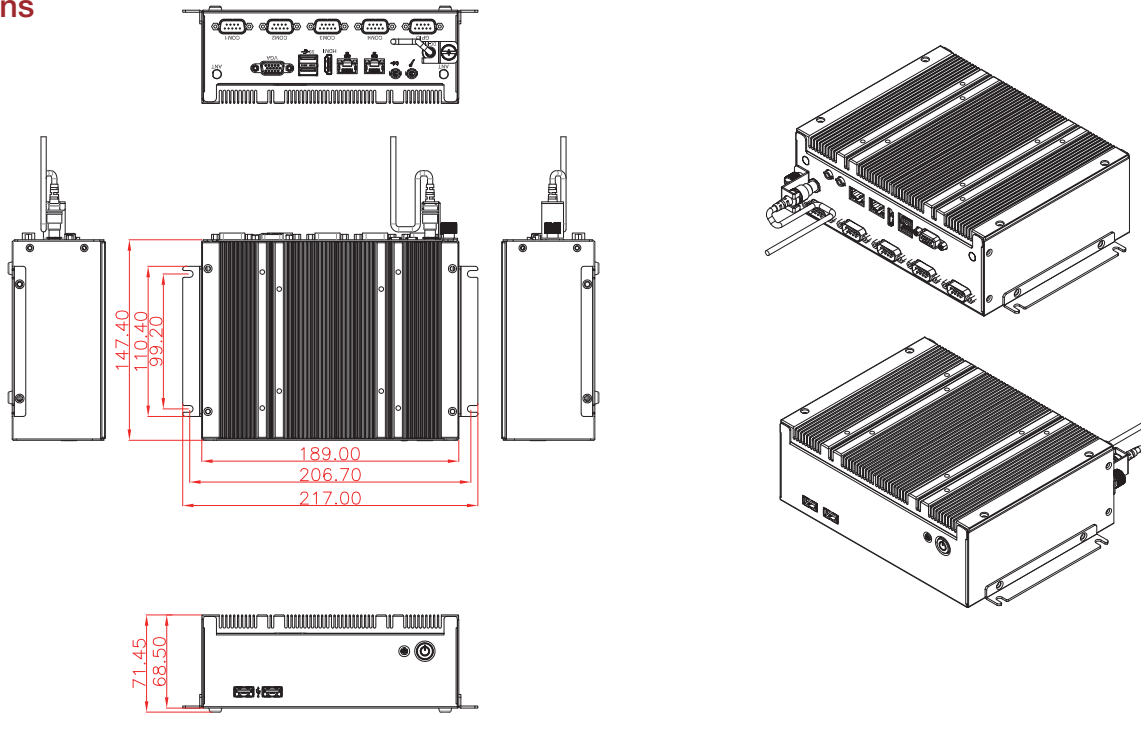


### Rear View



We at iStarUSA Group offer OEM/ODM services for Industrial Power, Custom Power, Chassis, Cabinets, and Data Storage. Through our skilled metal bending, milling, and silk screening we can provide you with unique customizations that will make your product stand out from the rest. With iStarUSA Group's OEM/ODM Solutions you can be sure to receive one-of-a-kind products for your one-of-a-kind business.

### Dimensions



UNIT : mm

### Ordering Information

Part Number	Description
FS-1003	Fanless Desktop for 3.5"SBC