

FS-1009

Fanless Desktop for Mini-ITX



Features

- Designed for mini-itx motherboard with CPU TDP 40W max
- 2 x front USB 2.0 ports (USB 3.0 optional)
- 1 x Expansion Slot
- Fully customizable and ready to be OEM/ODM

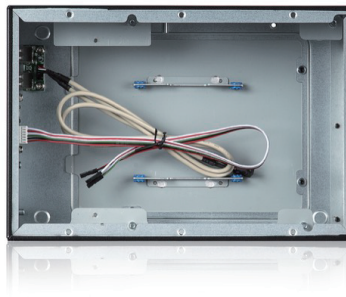
Specifications

Model Number	Back Panel
FS-1009	To be determined with selected motherboard and system specification
RoHS Compliance	Motherboard Size:
YES	For Mini-ITX
Standard Drive Bays	External Adapter Input
Internal Drive Bay : 2.5" HDD x 1	C7(80W)
Front Panel	Dimensions (WxHxD)
Power SW./ Power LED./ HDD LED./ USB 2.0 Port x2.	Width 7.00" (177.8 mm)
	Height 5.40" (137.2 mm)
	Depth 10.30" (261.6mm)

Front View



Inside View

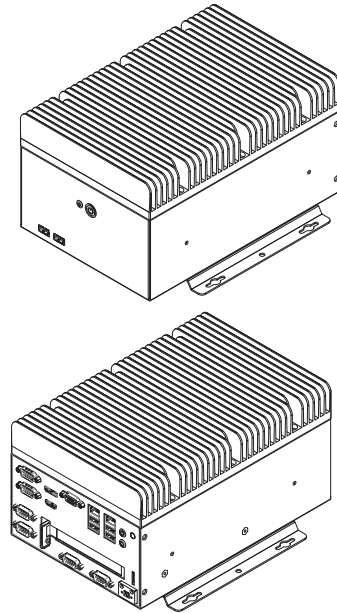
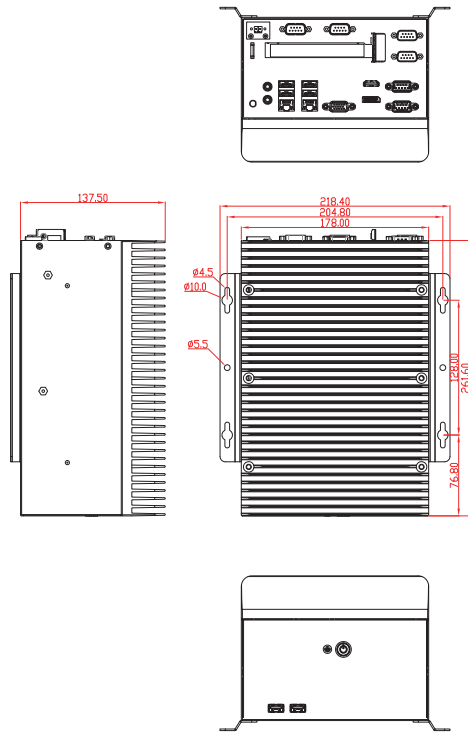


Rear View



We at iStarUSA Group offer OEM/ODM services for Industrial Power, Custom Power, Chassis, Cabinets, and Data Storage. Through our skilled metal bending, milling, and silk screening we can provide you with unique customizations that will make your product stand out from the rest. With iStarUSA Group's OEM/ODM Solutions you can be sure to receive one-of-a-kind products for your one-of-a-kind business.

Dimensions



UNIT : mm

Ordering Information

Part Number	Description
FS-1009	Fanless Desktop for Mini-ITX

Compatible Riser Card

Part Number	Description
DD-666-CX	PCIe x16 to PCIe x16 Riser Card
DD-631-CX	PCIe x1 to PCI Riser Card

* We offer a great selections of riser cards. Please contact our sales engineers for other specs of riser cards

Optional Accessories

Part Number	Model
FS-DCP150	DC-DC Converter Board 150W
FS-DCP78	DC-DC Converter Board 78.8W
FS-DCP78CBL	DC-DC Converter Board 78.8W
FS-DCP80	DC-DC Converter Board 80.3W