

FS-11901

1U IPC Rackmount Chassis for Mini-ITX



Features

- Front mount I/O for easy access
- 2 x Expansion Slots
- 2 x front USB 2.0 ports (USB 3.0 optional)
- 2 x 2.5 inch front hot-swappable drive bays
- Fully customizable and ready to be OEM/ODM

Specifications

Model Number	Color	Expansion Slot Notes
FS-11901	Black	Front Panel Access
RoHS Compliance	Weight	Cooling System:
YES	10	2 x 40mm fan
Standard Drive Bays	Front LED Indicator	I/O Shield
Internal Drive Bay : 2 x 2.5" HDD Hot Swappable Drive Bay: 2 x 2.5" HDD	1 x Activity; 1 x Power	Standard I/O (Front Panel Access)
Form Factor:	Front USB Port	Supported PSU Type
1U	2	Flex ATX
Motherboard Size:	Front Power Switch	Additional
Mini-ITX	2	1 x Power socket (Front Panel Access)
Material	Memory Height	Dimensions (WxHxD)
Lightweight aluminum alloy and CRS	Accepts standard size	Width 19.00" (482.6 mm) Height 1.73" (43.9 mm) Depth 11.50" (292.1 mm)
Finish	Expansion Slot	
Black wet paint textured coat	2 x PCI cards OR 1 x PCIe card	

Front View



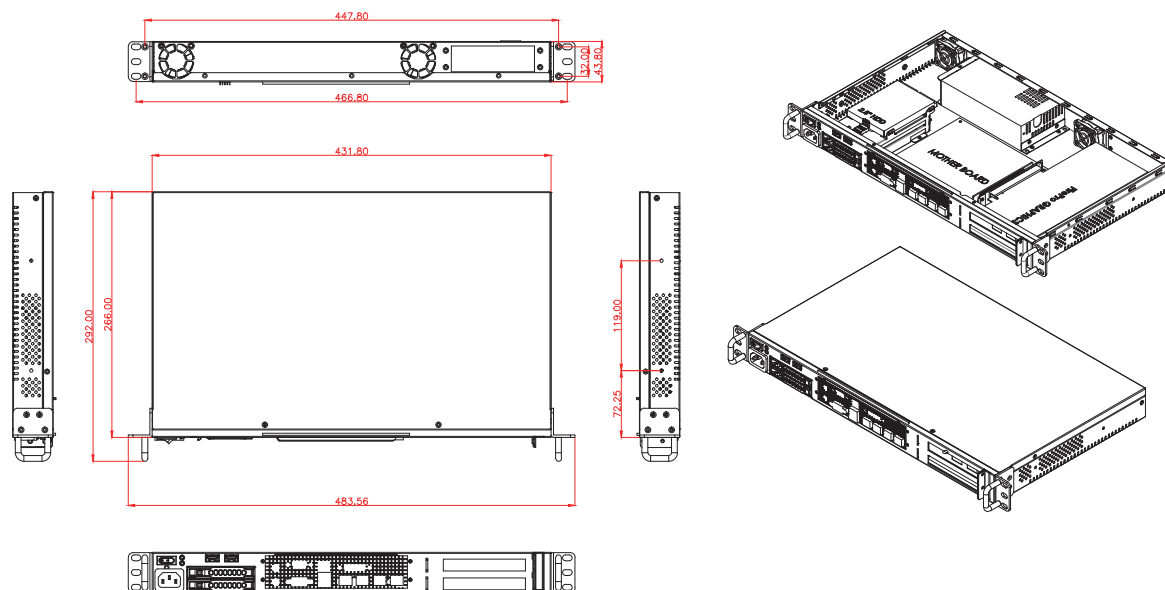
System View



Motherboard and system components are not included, please contact our sales for system intergration inquiries

We at iStarUSA Group offer OEM/ODM services for Industrial Power, Custom Power, Chassis, Cabinets, and Data Storage. Through our skilled metal bending, milling, and silk screening we can provide you with unique customizations that will make your product stand out from the rest. With iStarUSA Group's OEM/ODM Solutions you can be sure to receive one-of-a-kind products for your one-of-a-kind business.

Dimensions



UNIT : mm

Ordering Information

Part Number	Description
FS-11901	1U IPC Rackmount Chassis for Mini-ITX

Compatible Power

Part Number	Description
TC-1U15FX1	1U 150W Flex Power Supply
TC-1U18FX1	1U 180W Flex Power Supply
TC-1U22FX8	1U 220W Flex High Efficiency Power Supply
TC-1U30FX8	1U 300W Flex High Efficiency Power Supply
TC-1U40FX8G-S	1U 400W Flex High Efficiency Power Supply

Optional Accessories

Part Number	Model
DD-REARMOUNT	1U Rear Bracket for Rackmount Chassis
RP-RAIL	Slim Sliding Rail Kit for 1U Short Rackmount Chassis
TC-RAIL	Sliding Rail Kit for Most Rackmount Chassis
DD-FAN40-Q	40mm Liquid State Bearing Fan

Compatible Riser Card

Part Number	Description
DD-00211-C9	PCIe x1 to 2 x PCI x 32 Riser Card
DD-666-CX	PCIe x16 to PCIe x16 Riser Card

* We offer a great selections of riser cards. Please contact our sales engineers for other specs of riser cards