

FS-P115

15" Panel PC Chassis for mini-ITX



Features

- Supports mini-ITX with CPU TDP 35W Max
- IP65 front bezel
- 15 inch panel with touchscreen
- Fully customizable and ready to be OEM/ODM

Specifications

Model Number	Touch
FS-P115	Touchscreen Type: Projected Capacitive/ Surface Hardness: 07H Durability: 100,000,000 times/ Transparency: 090%
RoHS Compliance	TDP
YES	Max. 35W
Standard Drive Bays	Storage
None	2.5" HDD x 1
Material	Power Solution Option
SGCC / Anodized aluminum heatsink	C7 (80W) DC Power Board
Surface	External AC Adapter
Black wet Surface paint with texture coat.	60W: Input (AC 100~240V); Output (DC 12V@5A) 80W: Input (AC 100~240V); Output (DC 12V@6.67A)
LCD	Dimensions (WxHxD)
Resolution: 1024xRGBx768/ Brightness: 300cd/m2 (typ.) Color Support: 16.2M/262k/ Contrast Ratio: 800:1 (typ.)/ Response Time: 8ms (typ.)	Width 7.64" (194.1 mm) Height 2.02" (51.3 mm) Depth 5.20" (132.1 mm)

Front View



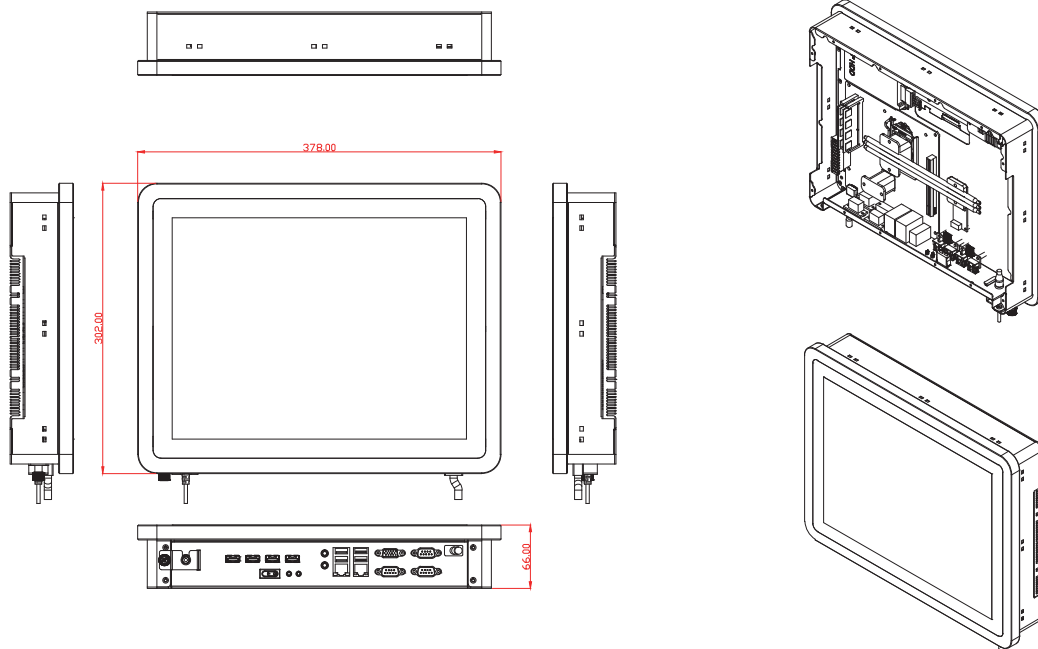
Rear View



**Motherboard and system components are not included,
please contact our sales for system integration inquiries**

We at iStarUSA Group offer OEM/ODM services for Industrial Power, Custom Power, Chassis, Cabinets, and Data Storage. Through our skilled metal bending, milling, and silk screening we can provide you with unique customizations that will make your product stand out from the rest. With iStarUSA Group's OEM/ODM Solutions you can be sure to receive one-of-a-kind products for your one-of-a-kind business.

Dimensions



UNIT : mm

Ordering Information

Part Number	Description
FS-P115	15" Panel PC Chassis for mini-ITX

Optional Accessories

Part Number	Model
FS-DCP150	DC-DC Converter Board 150W
FS-DCP78	DC-DC Converter Board 78.8W
FS-DCP78CBL	DC-DC Converter Board 78.8W
FS-DCP80	DC-DC Converter Board 80.3W