

D-200-PFS

2U Compact Stylish Rackmount Chassis

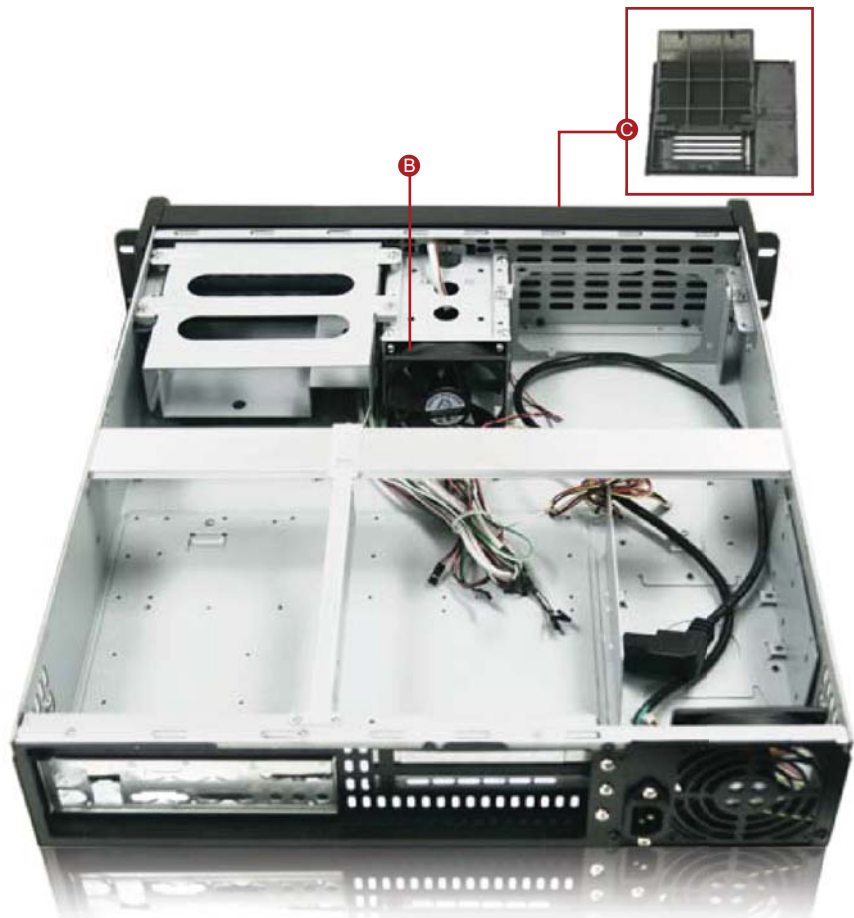
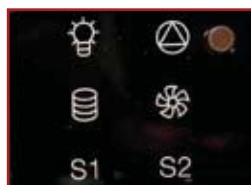
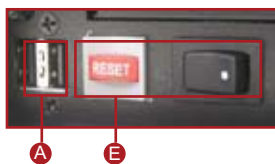


INTRODUCTION

The 2U compact industrial rackmount chassis D Storm D-200-PFS. The full size I/O supports all ATX motherboard. Combine T-7 Hot-swappable cage for raid configuration, and total of three 3.5 drive storage that supports RAID 1/0/1+0/5 configuration as well as one 5.25 drive bay space for optical or hot-swap device. D-200-PFS supports 3 add-on cards include PCI, PCI-X, AGP, or PCI-Express architecture that provide your server or cluster maximum flexibility and performance. Optional Aluminum Body reduces total chassis weight and also provides enhanced thermal cooling solution.

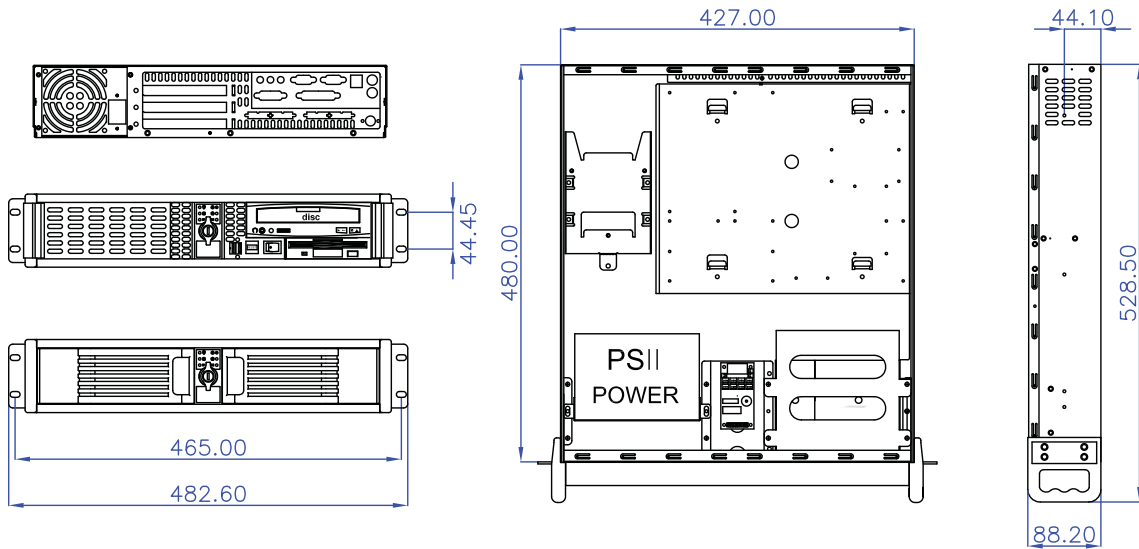
FEATURES

- Ⓐ Front Access USB2.0 x 2
- Ⓑ 80mm x 2 Cooling Fan
- Ⓒ Removable Air Filter
- Ⓓ Power and HDD LED
- Ⓔ Power and Alarm Reset Switch
- Ⓕ Front Mount ATX Power Supply
- Ⓖ Optional Aluminum Chassis



D-200-PFS

DRAWING



SPECIFICATIONS

Model Number	D-200-PFS	Speaker	0.4W Built-In
RoHS Compliance Version	Yes	Air Filter	Removable & Washable
Standard Drive Bays	3.5" Drive [Internal]: 2 5.25" Drive: 1 3.5" Drive: 1	Expansion Slots	Standard: 3 x PCI 32bit Optional: 1 x AGP, 2 x PCI
Cooling Fan	2 x 80mm	Material of Front Bezel	Plastic
Mainboard Size [inch]	12 x 10	Material of Handle	SECC Zinc-Coated Steel
Indicators	LEDs for Power ON/OFF, HDD, Fan & Alarm	Material of Main Chassis	1.2mm SECC Zinc-Coated Steel [Japan Made]
Switches	Power ON/OFF, System & Alarm Reset	Color of Front Bezel	Black
Security	Front Bezel	Color of Main Chassis	Black
		Front Connector	Front USB 2.0 x2 Connector
		Dimensions (WxHxD)	19 x 3.5 x 20.8 inch

OPTIONAL ACCESSORIES

Model Number	Page
RP-COMBO-SLIM	N/A
T-7-SA	158
TC-Rail-20/24/26	160
RP-HDD3.5	N/A

Model Number	Page
DD-200-DR/DS/DBlue/DG	N/A
DD-Fan60	162
TC-iStorm 8	160

POWER SUPPLY OPTIONS

Model Number	Output	Page
TC-350PD1	350W	230
TC-400PD1	400W	230
TC-500PD1	500W	230
TC-600PD2	600W	234
TC-650PD2	650W	234

Model Number	Output	Page
TC-700PD2	700W	234
TC-750PD2	750W	234

:: Specification and wiring diagram subject to change without notice
 :: Limited Life Time Warranty
 :: Last Update: Oct/2007

