

D-206

2U 6 Slots Industrial PC Rackmount Chassis

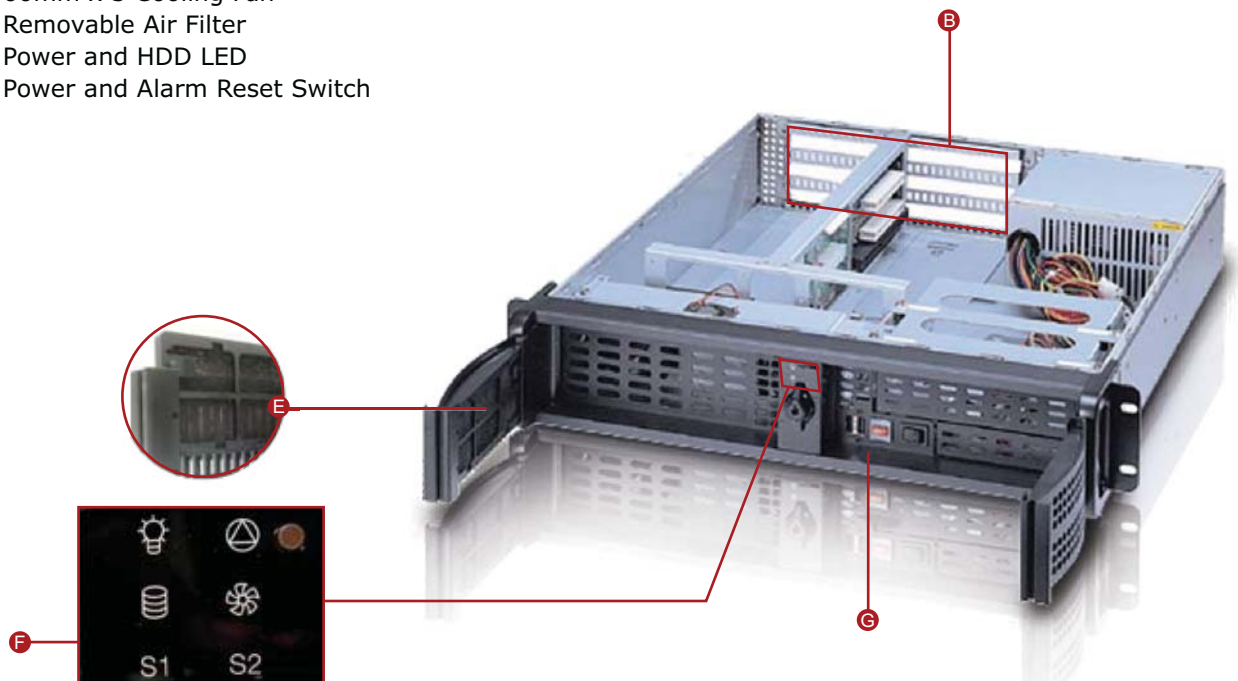


INTRODUCTION

iStarUSA 2U D-Storm D-206 industrial rackmount chassis. The special 6 butterfly slots support CompactPCI, PCI, PICMG, and ISA backplanes. Optional 3.5 and 5.25 tray enable hot-swappable storage, raid configuration, and redundant power supplies. From telecommunication to automation control system, D-206 is the most compact industrial rackmount chassis.

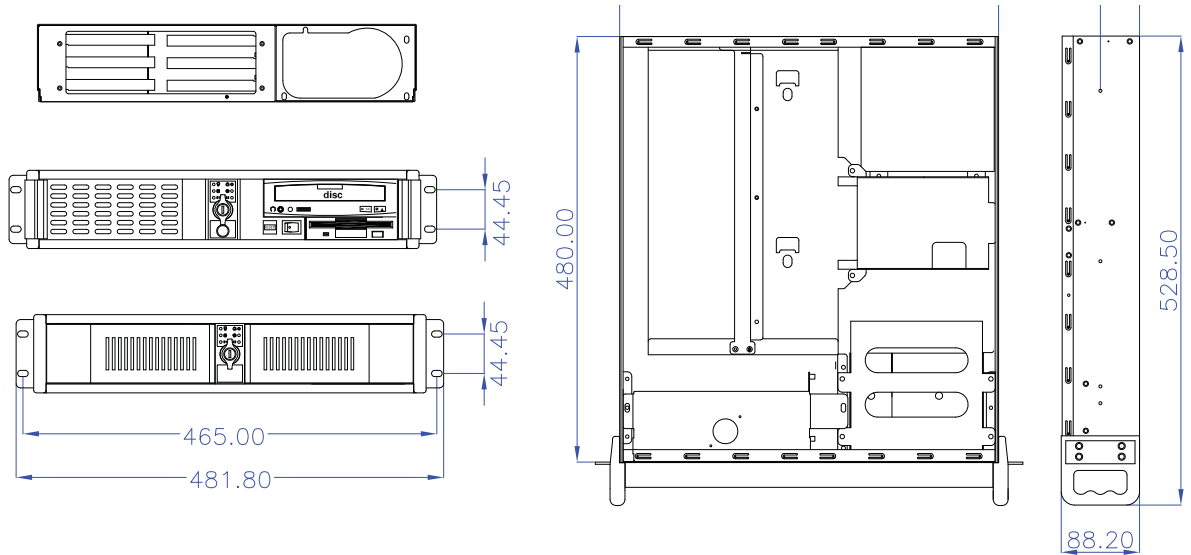
FEATURES

- Ⓐ Patented Aluminum Front Panel with Locks, Taiwan: 200281 / 190240 , China: 2L01259648.5
- Ⓑ 6 Slot Butterfly Backplane
- Ⓒ Front Access USB2.0 x 2
- Ⓓ 60mm x 3 Cooling Fan
- Ⓔ Removable Air Filter
- Ⓕ Power and HDD LED
- Ⓖ Power and Alarm Reset Switch



D-206

DRAWING



SPECIFICATIONS

Model Number	D-206	Security	Front Bezel
RoHS Compliance Version	Yes	Speaker	0.4W Built-In
Standard Drive Bays	5.25" Drive: 1 3.5" Drive: 1 3.5 Drive [internal]: 1	Backplane	6 Slots
Cooling Fan [Option]	2 x 60mm [1 x 60mm]	Air Filter	Removable & Washable
Mainboard Size [inch]	12 x 10	Material of Front Bezel	Aluminum Alloy
Indicators	LEDs for Power ON/OFF, HDD, Fan & Alarm	Material of Handle	1.2mm SECC Zinc-Coated Steel
Switches	Power ON/OFF, System & Alarm Reset	Material of Main Chassis	1.2mm SECC Zinc-Coated Steel [Japan Made]
		Color of Front Bezel	Black / Blue / Silver / Red / Gold
		Color of Main Chassis	Black
		Front Connector	Front USB 2.0 x 2 Connector
		Dimensions (WxHxD)	19 x 3.5 x 20.8 inch

OPTIONAL ACCESSORIES

Model Number	Page	Model Number	Page
RP-COMBO-SLIM	N/A	DD-200-DR/DS/DBlue/DG	N/A
TC-Rail-20	160	RP-HDD3.5	N/A
TC-Rail-24	160	T-7	158
TC-Rail-26	160	TC-iStorm 8	160

POWER SUPPLY OPTIONS

Model Number	Output	Page
TC-350/400/500PD1	350/400/500W	230
TC-600/650/700/750PD2	600/650/700/750W	234

:: Specification and wiring diagram subject to change without notice
 :: Limited Life Time Warranty
 :: Last Update: Oct/2007

