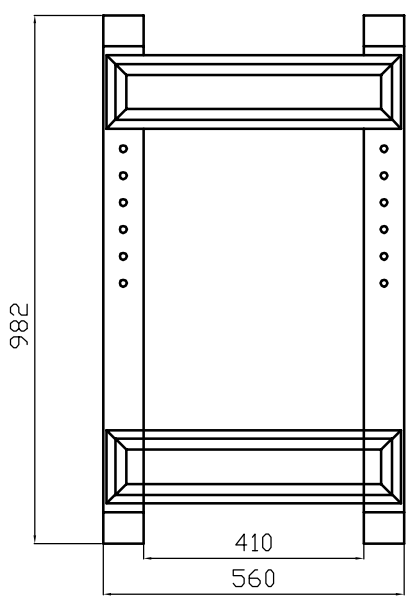
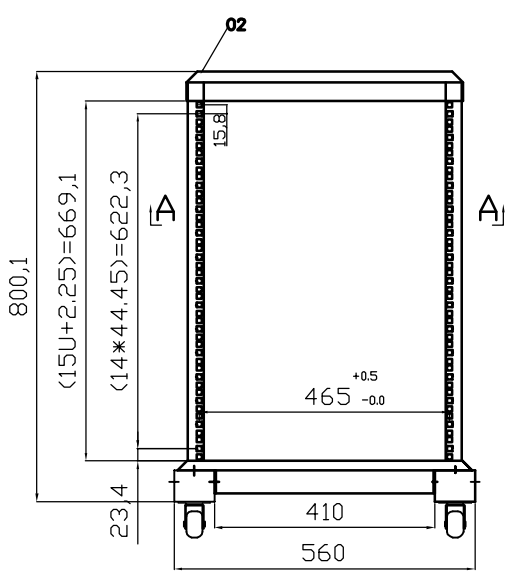
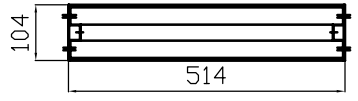
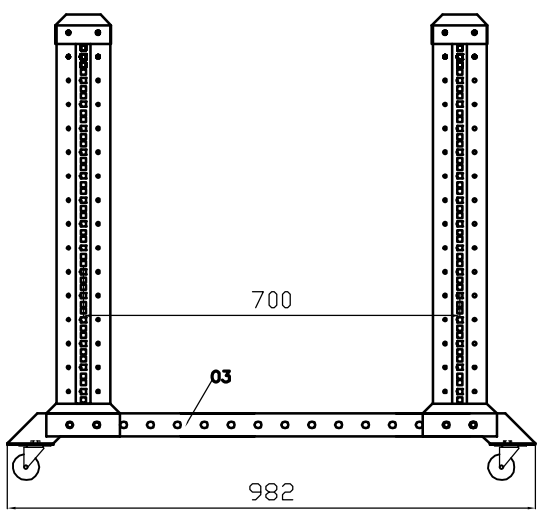


PRODUCTION ORDER:
 DELIVERY DATE:



SYR	QTY	DCN	DATE	SIGNED	QTY/SET	TOTAL	DIM	ITEMS	DATE	DRAWING NO:		COLOUR
					2	mm	APPROVAL			WO-15B		
MATERIAL: SPCC-1.5-3.0mm					EXAMINATION DESIGNER			PARTS NAME: 15U-OPENRACK		SCALE: FIT	PAGY NO	