

**iStarUSA™**

*iStar, Good Start!*

**T-7**

---

# **INSTALLATION MANUAL**

---



**FOR MORE INFORMATION, PLEASE VISIT [WWW.ISTARUSA.COM](http://WWW.ISTARUSA.COM)**



## Copyright

Copyright © 2006 by iStarUSA, Inc., all right reserved. No part of this publication may be reproduced, transmitted, transcribed, stored in a retrieval system, translated into any language, in any form or by an means or otherwise, without the prior written permission of I-Star USA Inc. 11911 Clark St. #C, Arcadia, CA 91006.

iStarUSA Inc. reserves the right to make modification and additions to this product and manual without notice or taking any liability.

## Trademarks

iStarUSA, ImageShape, and D-Storm are all registered trademarks of iStarUSA, Inc. All other trademarks herein are properties of their respective owners.

## Disclaimer

iStarUSA Inc. assumes no liability for errors or omissions in this document. Nor dose iStarUSA Inc. make any commitment to update the information contained herein. Pictures in this document are for demonstration purpose only and may not be the same as the actual product.



## Safety Instructions

Please read this section carefully and follow the instructions for your own safety and proper use of the device. It also contains information on approval and interference suppression of your machine.

Please pay attention to the warnings and instructions on the device and in the manual.

In order to maintain this condition and ensure safe operation, users must follow the instructions and warnings contained in this manual.

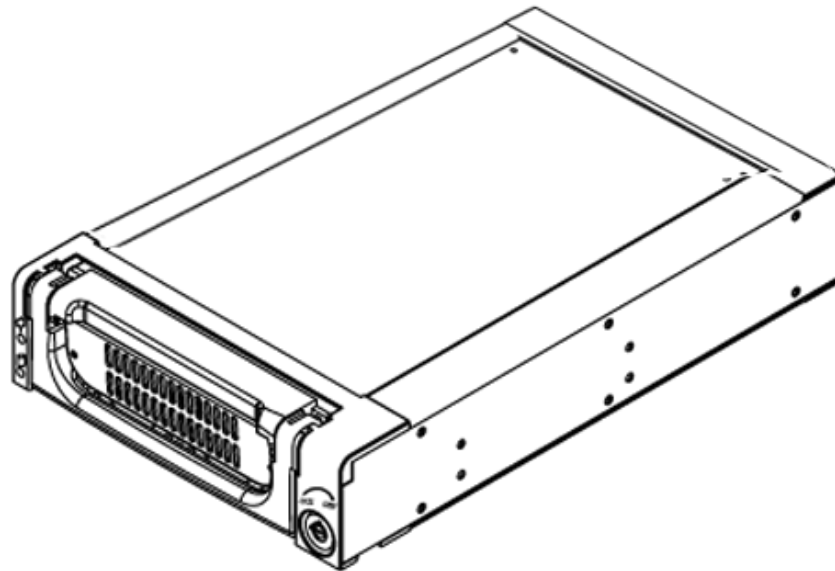
- ▷ The device must be used in accordance with the instruction for use.
- ▷ The electrical installation condition in the room must correspond to the requirements of the respective regulations.
- ▷ Take care that there are no cables, particularly mains cables, in areas where persons can trip over them.
- ▷ Do not use a main connection in sockets shared by a number of other power consumers. Do not use an extension cable.
- ▷ Only use the supplied cable.
- ▷ The unit is completely disconnected from the power source, only when the power cord is disconnected from the power source. Therefore the power cord and its connectors must always remain easily accessible.
- ▷ Do not setup the device in the proximity of heat sources or in a damp location. Make sure the device has adequate ventilation.
- ▷ All plugs on the connection cables must be screwed or locked to the housing.
- ▷ Do not touch the board or any other sensitive components without all necessary anti-static protections.



## Table of Contents

# T-7

▶ Introduction .....	1
▶ Features .....	1
▶ Specifications .....	2
▶ Package Contents .....	3
▶ Installation .....	6
▶ Technical Support .....	11
▶ Warranty Information .....	11



## Introduction

Military type aluminum hot-swappable iStarUSA T-7 mobile rack. Unique compact in size, high performance SATA 2.0 interface up to 300mb/s transfer rate. T-7 is tough in strength, but flexible in functionality. Additional cooling fan provide extra cooling in worst operating condition. Indicator LEDs enable monitor power and hard drive activities. Security lock prevents intrusion and theft to the most important data. T-7 military mobile rack construct with quality and versatility.

## Features

- :: SATA to SATA Interface
- :: Cableless Connection, Support Plug & Play, Hot-Swappable
- :: High Performance - Support up to SATA 2.0 300MB/Sec
- :: With 15pin SATA and 4pin Power Connector
- :: Military Grade Quality Aluminum Frame & Tray
- :: Front Fan x 1 - for Best Air Ventilation
- :: Point to Point, Free from Master/Slave Setting
- :: Unique 7.5" Depth Compact Size
- :: Power Control & Security Key Lock That Reduces From Potential Electronic Points of Failure

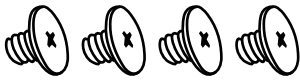
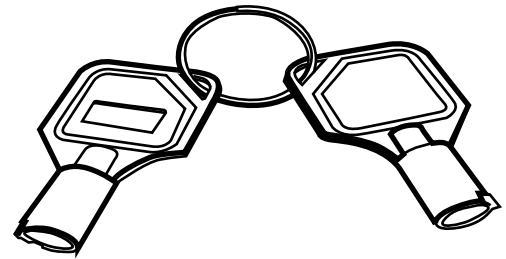
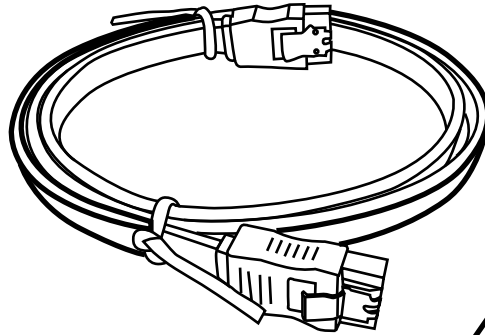
## Specification

Model No.	T-7 (Rhino RJ Series)
Drive Bays	1 x 5.25"
Interface	SATA 2.0 Hot-Swap Capable
Cooling	1 x 40mm Ball Bearing Fan
Material	All Aluminum Design
Dimensions (WxDxH)	146 x 190 x 42 mm
Color	Black
Cable	SATA Cable Included
Weight	3.5 lbs.
	Operating Attitude: 15,000 feet
	Power Supply: 3U, 2U Redundant
	Temperature: 0-50C (operating) 1-70C (storage)
	Humidity: 5-95%, non-condensing
	Safety Standard: FCC/CE

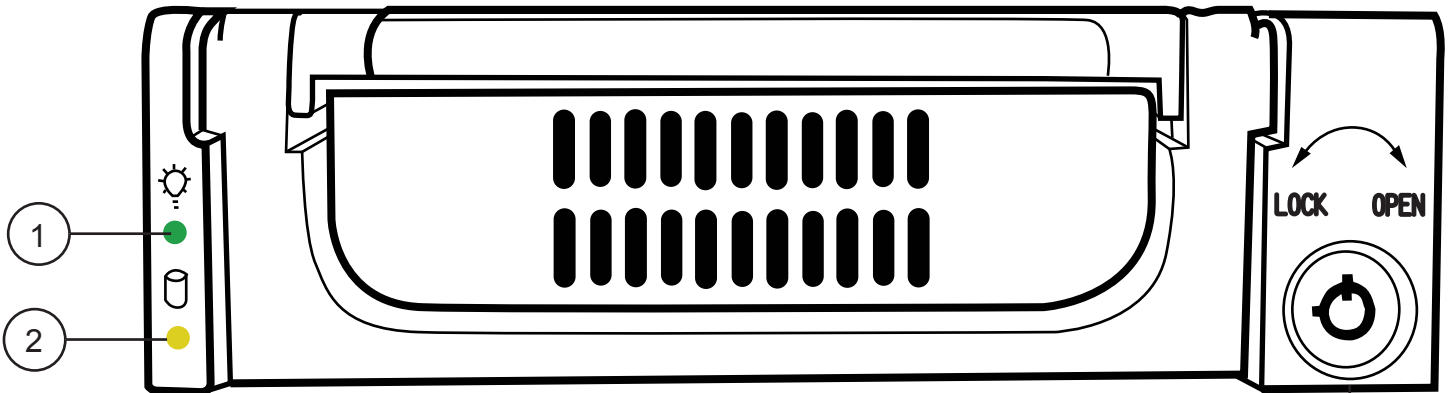


## Package Contents

- T-7 Removable H.D.D Rack
- User Manual
- SATA Cable
- Hard Drive Screw x 4
- Cage Screw x 8

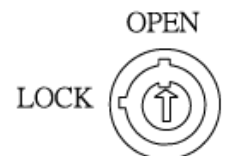


## Front View

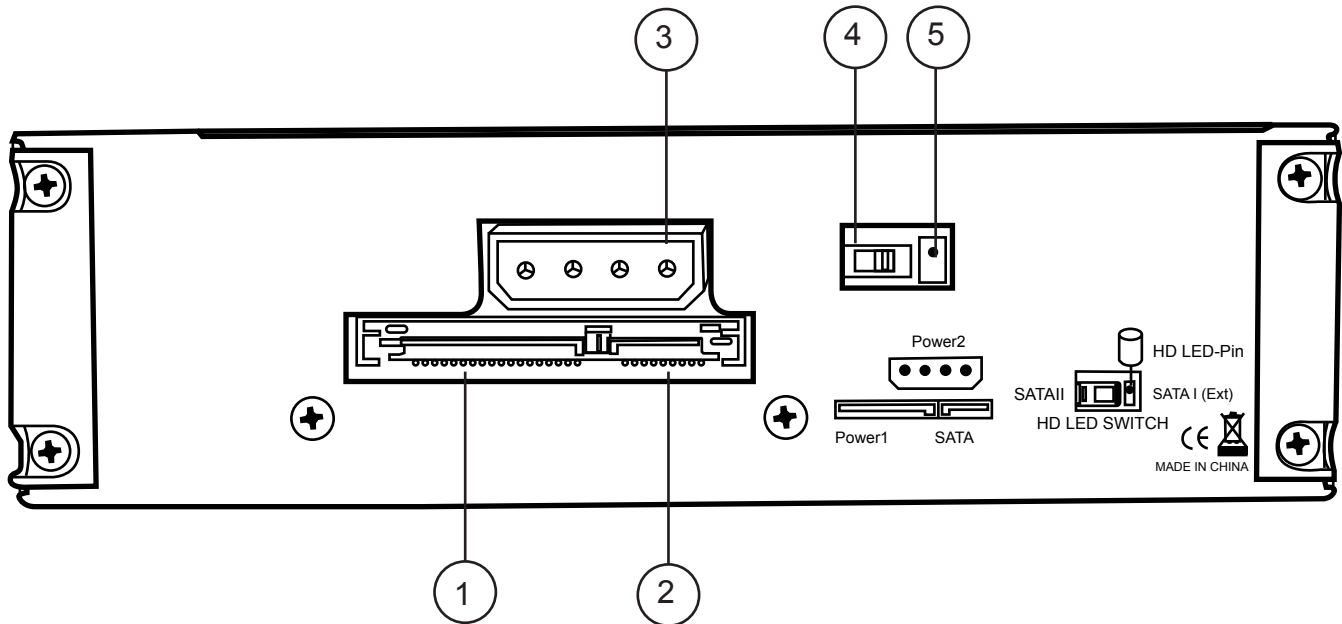


1	<b>Power LED:</b> Power on, LED indicates Green
2	<b>HDD Access LED:</b> Power on the system, the HDD LED will light on and that means your HDD is well installed. While reading or writing on each HDD, the LED is blinking while HDD accessing.
3	<b>Keylock:</b> Vertical=open. Horizontal=lock.

★ keylock

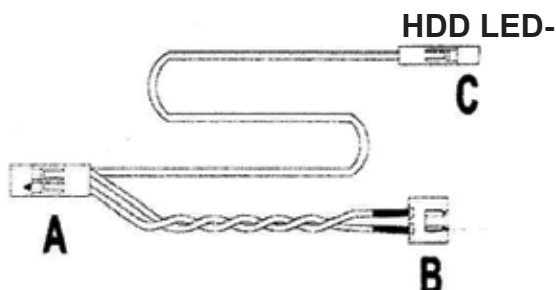


## Back View



- 1. 15pin Serial ATA Power connector**  
If your power is from SATA 15pin connector, connect it to the 15pin connector
- 2. 7pin Serial ATA Signal connector**
- 3. 4pin Power connector**  
If your power is not from SATA 15pin connector, then, use the 4pin power connector; the 4pin power will automatically be converted to SATA power.
- 4. HD LED SWITCH**  
(The default setting is on the left, supporting SATA-II HD LED)  
When the Switch is adjusted to the left, the setting supports SATA-II HD LED;  
When the Switch is adjusted to the right, the setting supports SATA-I HD, LED,  
but requiring external HD Access LED wiring
- 5. External HDD Access pin connections-**  
HDD access connection (Note: "+" and "-" position). See it from motherboard manual.

## How To Connect

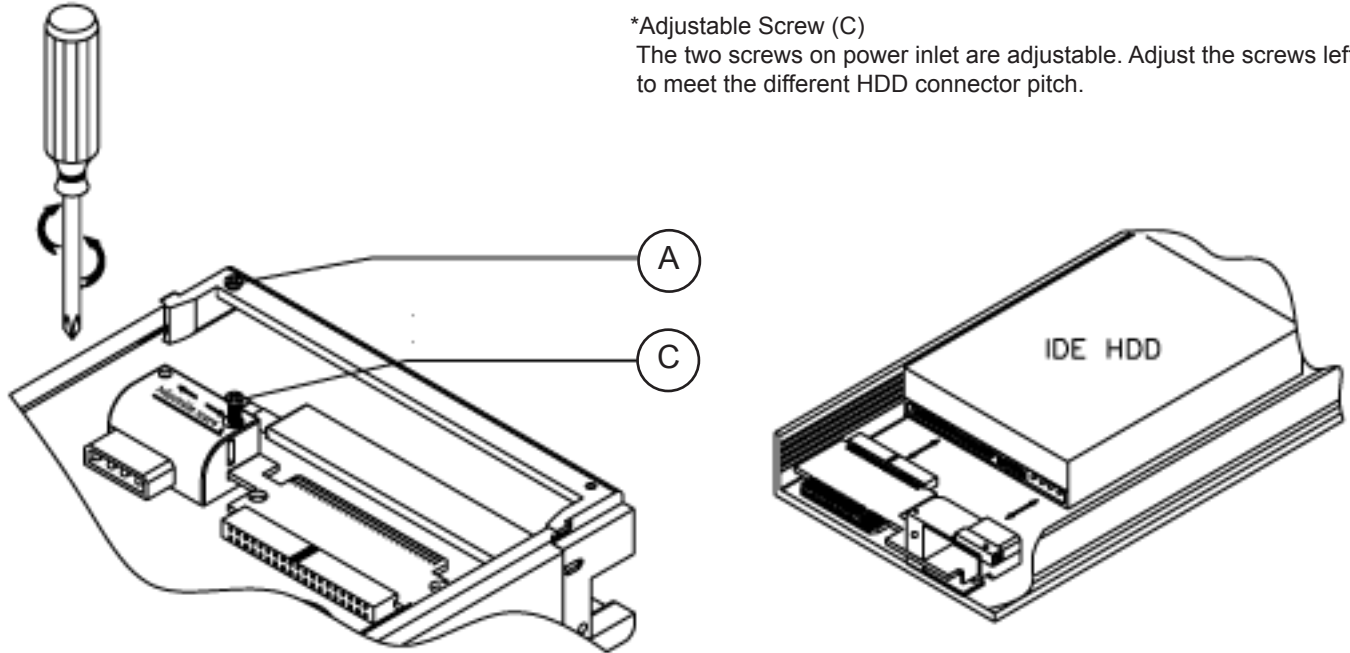


- A. Connect to pins on the motherboard**  
(wire white color is "-"),
- B. HD LED (to the computer LED),**
- C. Connect to HDD pins on the mobile rack.**

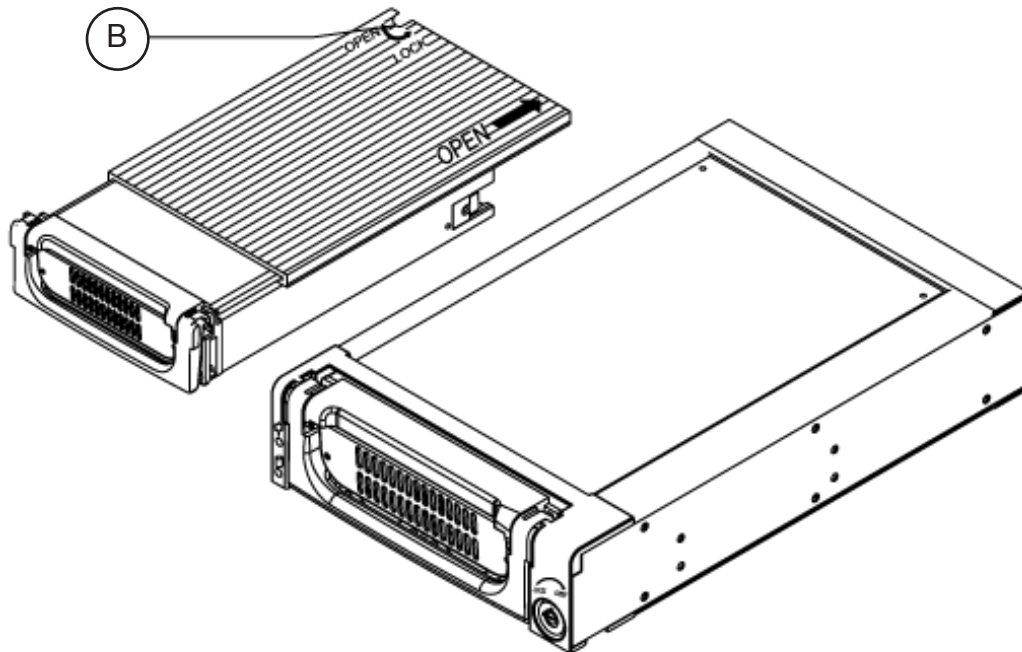


**\*Adjustable Screw (C)**

The two screws on power inlet are adjustable. Adjust the screws left/right to meet the different HDD connector pitch.



Loose the screw (C) to let HDD connector (male) meet with the female connector on the pcb precisely. After connected, tighten the screw again.



Turn the screw (A) clockwise to open the cover. After HDD is installed, sliding back the cover and turn the screw (A) counter-clockwise to prevent the cover from losing.



## Technical Support Information

Contact Technical Support

Hour: 9AM - 5PM PST

11911 Clark St. #C

Arcadia, CA 91006

Tel: 1.626.303.8885

FAX: 1.626.301.0588

Email: Tech@istarusa.com

## One Year Limited Warranty

This limited warranty applies to products manufactured or distributed by I-Star USA Inc. (“iStarUSA”), under the I-Star USA Inc brand name within the United States.

iStarUSA warrants that the product you have purchased from iStarUSA or from an authorized iStarUSA reseller is free from defects in materials and workmanship under normal use for a period of one (1) year from the original date of purchase. (Warranty Period”), your sales receipt, showing the date of purchase of the product, is your proof of the date of purchase. This limited warranty extends only to the original purchaser, is not transferable and excludes disposable parts.

This limited warranty does not extend to any product that has been damaged or rendered defective, (a) as a result of accident, misuse, or abuse, (b) by improper installation, (c) as a result of electrical surges or anomalies; (d) by operating outside IPC usage parameters, (e) by unauthorized modification of products, or (f) as a result of service by anyone other than iStarUSA. iStarUSA is not responsible for damage to or loss of any software programs data or information, or for damage to other computer hardware and peripherals caused by the product.

Please contact our RMA department for repair or replacement of defective parts under warranty. Please email to [rma@istarusa.com](mailto:rma@istarusa.com) to obtain RMA Number before you send back any products. Your shipment will not be accepted without issued RMA number.

